



**PERMANENT MISSION OF THE REPUBLIC OF CROATIA
TO THE OSCE, UN AND INTERNATIONAL ORGANISATIONS IN VIENNA**

A-1030 VIENNA, RENNWEG 3

TEL: (+43 1) 535 0137; FAX: (+43 1) 535 0134; EMAIL: cromiss.vienna@mvep.hr

No. 43/2018

FSC.EMI/132/18

7 May 2018

ENGLISH only

NOTE VERBALE

The Permanent Mission of the Republic of Croatia to the OSCE, UN and International Organizations in Vienna presents its compliments to the Permanent Missions and Delegations to the OSCE and Conflict Prevention Centre and in the accordance with Decision 7/04 of the Forum for Security and Cooperation, has the honour to submit Croatia's reply to the OSCE Questionnaire on Anti-Personnel Landmines and Explosive Remnants of War for the year 2017.

The Permanent Mission of the Republic of Croatia to the OSCE, UN and International Organizations in Vienna avails itself of this opportunity to renew to the Permanent Missions and Delegations to the OSCE and to the Conflict Prevention Center the assurances of its highest consideration.



Vienna, 7 May 2018

Permanent Missions and Delegations to the OSCE

Conflict Prevention Centre

VIENNA

OSCE QUESTIONNAIRE ON ANTI-PERSONNEL MINES
May 2018

Part I

- 1. Is your country a State Party to the 1996 Amended Protocol II on Prohibitions or Restrictions on the Use of Mines, Booby-Traps and Other Devices annexed to the 1980 Convention on Conventional Weapons (CCW)?**

Following the notification on succession, the Republic of Croatia is a State Party to the Convention on Prohibitions or Restrictions on the Use of Certain Conventional Weapons Which May Be Deemed to Be Excessively Injurious or to Have Indiscriminate Effects (CCW) since 2nd December 1993, and to the Amended Protocol II since 25th April 2002.

- 2. Please attach the most recent annual report submitted by your country in accordance with Article 13 of the Amended Protocol or give the appropriate electronic address for the report.**

The Republic of Croatia regularly elaborates the annual report in accordance with Article 13, paragraph 4 and Article 11, paragraph 2 of the Amended Protocol II to the CCW and forwards it to the Secretary General of the UN through the Department for Disarmament in Geneva. Please find attached the aforementioned report for 2017 in English.

Part II

- 7. Has your country ratified or acceded to the 1997 Convention on the Prohibition of the Use, Stockpiling, Production and Transfer of Anti-Personnel Mines and on Their Destruction?**

The Republic of Croatia is a State Party to the Convention on the Prohibition of the Use, Stockpiling, Production and Transfer of Anti-Personnel Mines and on Their Destruction since 20th May 1998.

- 8 (a) If yes, please attach the most recent report submitted by your country in accordance with Article 7 of the Convention or give the appropriate electronic address for the report.**

The annual report in accordance with Article 7 of the Convention is elaborated regularly and forwarded to the Secretary General of the UN through the Department for Disarmament in Geneva. Please find attached the aforementioned report for 2017 in English.

- (c) Has your country adopted legislation to address the humanitarian objectives of the Convention, or taken any specific measures regarding the use, production, storage, transfer and destruction of anti-personnel landmines? In case a moratorium has been introduced, what is its scope and duration and when was it introduced?**

The Republic of Croatia passed the Law on the Prohibition of the Use, Stockpiling, Production and Transfer of Anti-Personnel Mines and on Their Destruction on 6th October 2004.

9. Does your country have any specific measures in place to provide assistance to victims?

Mine victims' assistance in 2017

The Republic of Croatia has developed public health care structure that includes clinics, clinical centers, specialized polyclinics, hospitals and rehabilitation centers. All persons being involved in the incidents are entitled to health protection and acquisition of orthopedic aids to the amount covered by the Croatian Health Insurance Institute. These rights are regulated by a number of laws, rules and regulations. Relevant state administration authorities were involved in solving the problems of mine victims relating to medical rehabilitation. In accordance with the Law on Mine Action, mine victims assistance was conducted with the coordinating role of the Government Office for Mine Action and in co-operation with the Croatian Mine Action Centre, relevant ministries and non-governmental organizations. The main aim of such approach is to improve the quality of life of people injured by mines and UXOs as well as their families. Competent government authorities dealt with problems of mine victims in the part of medical rehabilitation. Other forms of aid were mainly implemented by non-governmental sector, and funding was secured through donations from international and domestic entities. Most importantly, efforts to provide advisory support to mine victims and their families and to collect data on mine victims and their needs during the process of non-technical survey in continuation of the 2014 project conducted by the Government Office for Mine Action and the Croatian Mine Action Centre with a goal of establishing unique Mine Victim Database, have been continued. This will be financed through the Swiss-Croatian Cooperation program and implemented through the "Demining and Socio-economic Integration" project whose correlated socio-economic component has a goal of establishing functional mine victims' data base to serve as a basis for developing further and strengthened policy actions for mine victims.

Mine risk education in 2017

A variety of mine risk education (MRE) activities, such as marking of mine suspected area, possibility of getting an insight into mine situation through submission of maps and CDs with mine suspected areas as well as using [CROMAC web portal](#) have a positive effect on the prevention of mine incidents, but also require additional activities of informing the public and media with mine action aspects.

In 2017, the Croatian Mine Action Centre conducted a large number of activities related to informing about mine danger. Through 77 lectures and presentations, more than 27.890 citizens were educated in 2017. Majority of them were kindergarten and elementary school children. Special education was given to the members of hunting associations, Croatian Mountain Rescue Service, hikers, farmers and tourists. Education was provided in the Capital of Zagreb and 14 other counties.

The largest number of activities related to the education about dangers of mines and UXO were done in cooperation with the Ministry of Interior and the relevant police departments through the "Less arms, less tragedy" campaign where more than 26.800 people were educated through 66 lectures. The cooperation was also achieved with: Croatian Hunting Federation, Croatian Red Cross, "Lions club" Beli Manastir, Disability Volleyball Club "Zagreb", county, city and municipal governments and other organizations of civil society. All actions and activities in mine action in Croatia and worldwide were presented on web

pages of the Croatian Mine Action Centre (www.hcr.hr) and the Government Office for Mine Action (www.mine.gov.hr).

Central ceremony marking April 4 - International day of Mine Awareness and Assistance in Mine Action - was held in the Town of Glina in co-organization of the Government Office for Mine Action and the Croatian Mine Action Centre.

Mine incidents and mine victims in year 2017

In 2017, there were no mine incidents / accidents and / or related casualties in the Republic of Croatia!

10. Does your country require assistance in mine clearance, stockpile destruction, mine awareness and/or victim assistance?

Project “Demining and Socio-Economic Integration” (financed by the Swiss Confederation in the wider framework of the “Swiss-Croatian Cooperation Program”)

The project consists of two complementary components which basically represent two key pillars of mine action in general – humanitarian demining and assistance to mine victims. First, the demining of highly contaminated and dangerous area of the Kotar Forest in the Sisak-Moslavina County will start. The demining of Kotar Forest is a precondition to ensure safety and security of the population in the area. Second, the programme of socio-economic empowerment of mine victims will be carried out and implemented through the establishment of a comprehensive database and needs assessment of mine victims and direct support of mine victims through different programs that will help increase employability and competitiveness in the labor market. These activities will be implemented to the whole area of the Republic of Croatia that has been affected by the Homeland War.

Implementation period of the project activities will be 48 months. Thus, demining component will be completed fairly quickly while the socio-economic empowerment will be conducted in the longer run due to the comprehensive approach which will be applied, involving a broader frame of actors in order to integrate victim assistance into structural frameworks that will ensure assistance is being provided to people on the ground. This network will include relevant ministries (health care, war veterans etc.) as well as public institutions (ombudsman for persons with disabilities, employment service, institute for public health, pension insurance institute etc.).

Total budget of the project is 3.530.000,00 CHF and national co-financing budget is 533.404,40 CHF. Total value of the demining contract is 2.814.000,00 CHF out of which 2.391.900,00 CHF is Swiss contribution and 422.100,00 CHF is national co-financing. Total value of socio-economic component is 716.000,00 CHF out of which 604.695,60 CHF is Swiss contribution and 111.304.40 CHF is national co-financing.

According to data gathered in the Croatian Mine Action Centre’s “Database on Mine Incidents” in the period from 1996 to 2016 there were 595 casualties from which 203 killed. And particularly the Sisak-Moslavina County is one of the areas in Croatia with the highest number of post-war casualties (from 1996 to 2016, 114 persons were involved in mine incidents, with 38 fatalities and 48 heavily injured; in the Kotar forest, in the same period, 16 mine incidents were registered, of which 10 were fatal and 6 were with serious injuries). The

Sisak-Moslavina County ranks as the second most mine contaminated county in Croatia (approx. 70 km²) and of the total mine suspected area 74% are forests and forest land. About 15 km² of total Petrinja township area (380 km²) is mine suspected, posing a danger to the inhabitants and jeopardizing their socio-economic development. More than half of mine suspected area is located in the Kotar forest, which was a former military front line and partially occupied territory during the Homeland War. In short, land contaminated by mines and ERW continue to inflict human suffering and impede post-conflict development.

It is expected that the demining activities will start in the 3rd quarter of 2018.

11. Does your country have the capacity to assist others in mine action?

Croatian mine action system can offer the following to the international mine action community:

- National Mine Action Centre establishment support;
- Legal, sublegal and normative regulative support;
- Mine information and geoinformation system implementation;
- Planning system - development of national programs, development of annual and operational plans;
- Education of Mine action staff (deminers, auxiliary workers and management);
- Croatian made protective equipment and demining machines;
- Croatian demining companies' capacity and knowledge;
- Capacities for testing of demining machines, demining equipment or devices and new methodologies for mine and UXO detection.

OSCE QUESTIONNAIRE ON EXPLOSIVE REMNANTS OF WAR

To be submitted on a voluntary basis along with the OSCE Questionnaire on Anti-personnel Mines on later than 31 May each year

1. Has your country notified the Depositary of its consent to be bound by the 2003 CCW Protocol V on Explosive Remnant of War (ERW) once it enters into force?

Yes.

2. If yes, at what stage is the process?

The Republic of Croatia ratified the Protocol on Explosive Remnants of War (Protocol V to the CCW) on 7th February 2005. Please find attached the aforementioned report for 2017 in English.

3. Would your country be interested in receiving assistance in clearing or otherwise minimizing the risk and affect of ERW? If so, please describe.

Project “Demining and Socio-Economic Integration” (financed by the Swiss Confederation in the wider framework of the “Swiss-Croatian Cooperation Program”)

The project consists of two complementary components which basically represent two key pillars of mine action in general – humanitarian demining and assistance to mine victims. First, the demining of highly contaminated and dangerous area of the Kotar Forest in the Sisak-Moslavina County will start. The demining of Kotar Forest is a precondition to ensure safety and security of the population in the area. Second, the programme of socio-economic empowerment of mine victims will be carried out and implemented through the establishment of a comprehensive database and needs assessment of mine victims and direct support of mine victims through different programs that will help increase employability and competitiveness in the labor market. These activities will be implemented to the whole area of the Republic of Croatia that has been affected by the Homeland War.

Implementation period of the project activities will be 48 months. Thus, demining component will be completed fairly quickly while the socio-economic empowerment will be conducted in the longer run due to the comprehensive approach which will be applied, involving a broader frame of actors in order to integrate victim assistance into structural frameworks that will ensure assistance is being provided to people on the ground. This network will include relevant ministries (health care, war veterans etc.) as well as public institutions (ombudsman for persons with disabilities, employment service, institute for public health, pension insurance institute etc.).

Total budget of the project is 3.530.000,00 CHF and national co-financing budget is 533.404,40 CHF. Total value of the demining contract is 2.814.000,00 CHF out of which 2.391.900,00 CHF is Swiss contribution and 422.100,00 CHF is national co-financing. Total value of socio-economic component is 716.000,00 CHF out of which 604.695,60 CHF is Swiss contribution and 111.304.40 CHF is national co-financing.

According to data gathered in the Croatian Mine Action Centre’s “Database on Mine Incidents” in the period from 1996 to 2016 there were 595 casualties from which 203 killed.

And particularly the Sisak-Moslavina County is one of the areas in Croatia with the highest number of post-war casualties (from 1996 to 2016, 114 persons were involved in mine incidents, with 38 fatalities and 48 heavily injured; in the Kotar forest, in the same period, 16 mine incidents were registered, of which 10 were fatal and 6 were with serious injuries). The Sisak-Moslavina County ranks as the second most mine contaminated county in Croatia (approx. 70 km²) and of the total mine suspected area 74% are forests and forest land. About 15 km² of total Petrinja township area (380 km²) is mine suspected, posing a danger to the inhabitants and jeopardizing their socio-economic development. More than half of mine suspected area is located in the Kotar forest, which was a former military front line and partially occupied territory during the Homeland War. In short, land contaminated by mines and ERW continue to inflict human suffering and impede post-conflict development.

It is expected that the demining activities will start in the 3rd quarter of 2018.

4. Does your country have the capacity to assist others in clearing and minimizing the risks and effects of ERW? If so, please describe.

Croatian demining companies as part of the Croatian mine action system already have significant role in various international projects and forms of cooperation, especially throughout the region of South East Europe. Due to considerable domestic demining needs, Croatia is currently not in a position to allocate funds for demining operations in other countries, but is willing and ready to offer Croatian know-how in various aspects of mine action, such as demining equipment (machines, vests, helmets, detectors, dogs, etc.), complete know-how of Croatian demining companies, education of civilians or experts and medical as well as psychosocial rehabilitation of mine victims/survivors.

Concrete examples of cooperation and assistance in 2017

Faculty of Electrical Engineering and Computing of the University of Zagreb works on research and development of target characterization capable metal detectors for humanitarian mine action with an emphasis on operation in non-cooperative (highly mineralized) soils. The group cooperates with the Croatian Centre for Testing, Development and Training Ltd. and with leading manufacturers in order to meet practical and regulatory requirements of the humanitarian demining and foster commercialization of the results. In this framework, at the test site Benkovac in Croatia, a research team from the University of Manchester conducted a trial of experimental detection equipment. These activities are financially supported in partnership with the UK-based charity Find A Better Way through projects PERUN - Enabling inductive metal characterization in non-cooperative soils (2015 - 2018) and METASHAPE - Empowering handheld metal detectors with shape-based target discrimination for use in humanitarian mine action (2018 - 2021).

The Croatian Centre for Testing, Development and Training Ltd. coordinates the project "Biological Methods (Bees) for Explosive Detection" which is financed by the NATO Science for Peace and Security Program with participation of the universities from Croatia, Bosnia and Herzegovina and the United Kingdom. The goal of this 3-year project is the development of innovative methods and technologies for landmine detection through the advancement and integration of current state-of-the-art techniques (honeybees) in combination with explosive vapor sensors and advanced imaging techniques.

In October 2017, the Croatian Centre for Testing, Development and Training Ltd. conducted a training course in Serbia for 18 employees of the Russian company Emercom Demining on various topics of demining management (project leaders, site leaders, team leaders, QA/QC officers). This was the second training course implemented by the Croatian Centre for Testing, Development and Training Ltd. for this company.

COVER PAGE OF THE ANNUAL ARTICLE 7 REPORT

NAME OF STATE [PARTY]: THE REPUBLIC OF CROATIA

REPORTING PERIOD: 01.01.2017. to 31.12.2017.
(dd/mm/yyyy) (dd/mm/yyyy)

<p>Form A: National implementation measures:</p> <table border="1"> <tbody> <tr> <td></td> <td>changed</td> </tr> <tr> <td>x</td> <td>unchanged (last reporting: 2016)</td> </tr> <tr> <td></td> <td>non applicable</td> </tr> </tbody> </table>		changed	x	unchanged (last reporting: 2016)		non applicable	<p>Form F: Program of APM destruction:</p> <table border="1"> <tbody> <tr> <td></td> <td>changed</td> </tr> <tr> <td>x</td> <td>unchanged (last reporting: 2009)</td> </tr> <tr> <td></td> <td>non applicable</td> </tr> </tbody> </table>		changed	x	unchanged (last reporting: 2009)		non applicable
	changed												
x	unchanged (last reporting: 2016)												
	non applicable												
	changed												
x	unchanged (last reporting: 2009)												
	non applicable												
<p>Form B: Stockpiled anti-personnel mines:</p> <table border="1"> <tbody> <tr> <td></td> <td>changed</td> </tr> <tr> <td>x</td> <td>unchanged (last reporting: 2015)</td> </tr> <tr> <td></td> <td>non applicable</td> </tr> </tbody> </table>		changed	x	unchanged (last reporting: 2015)		non applicable	<p>Form G: APM destroyed:</p> <table border="1"> <tbody> <tr> <td></td> <td>changed</td> </tr> <tr> <td>x</td> <td>unchanged (last reporting: 2009)</td> </tr> <tr> <td></td> <td>non applicable</td> </tr> </tbody> </table>		changed	x	unchanged (last reporting: 2009)		non applicable
	changed												
x	unchanged (last reporting: 2015)												
	non applicable												
	changed												
x	unchanged (last reporting: 2009)												
	non applicable												
<p>Form C: Location of mined areas:</p> <table border="1"> <tbody> <tr> <td>x</td> <td>changed</td> </tr> <tr> <td></td> <td>unchanged (last reporting: 2016)</td> </tr> <tr> <td></td> <td>non applicable</td> </tr> </tbody> </table>	x	changed		unchanged (last reporting: 2016)		non applicable	<p>Form H: Technical characteristics:</p> <table border="1"> <tbody> <tr> <td></td> <td>changed</td> </tr> <tr> <td>x</td> <td>unchanged (last reporting: 2009)</td> </tr> <tr> <td></td> <td>non applicable</td> </tr> </tbody> </table>		changed	x	unchanged (last reporting: 2009)		non applicable
x	changed												
	unchanged (last reporting: 2016)												
	non applicable												
	changed												
x	unchanged (last reporting: 2009)												
	non applicable												
<p>Form D: APMs retained or transferred:</p> <table border="1"> <tbody> <tr> <td>x</td> <td>changed</td> </tr> <tr> <td></td> <td>unchanged (last reporting: 2016)</td> </tr> <tr> <td></td> <td>non applicable</td> </tr> </tbody> </table>	x	changed		unchanged (last reporting: 2016)		non applicable	<p>Form I: Warning measures:</p> <table border="1"> <tbody> <tr> <td>x</td> <td>changed</td> </tr> <tr> <td></td> <td>unchanged (last reporting: 2016)</td> </tr> <tr> <td></td> <td>non applicable</td> </tr> </tbody> </table>	x	changed		unchanged (last reporting: 2016)		non applicable
x	changed												
	unchanged (last reporting: 2016)												
	non applicable												
x	changed												
	unchanged (last reporting: 2016)												
	non applicable												
<p>Form E: Status of conversion programs:</p> <table border="1"> <tbody> <tr> <td></td> <td>changed</td> </tr> <tr> <td>x</td> <td>unchanged (last reporting: 2009)</td> </tr> <tr> <td></td> <td>non applicable</td> </tr> </tbody> </table>		changed	x	unchanged (last reporting: 2009)		non applicable	<p>Form J: Other Relevant Matters</p> <table border="1"> <tbody> <tr> <td>x</td> <td>changed</td> </tr> <tr> <td></td> <td>unchanged (last reporting: 2016)</td> </tr> <tr> <td></td> <td>non applicable</td> </tr> </tbody> </table>	x	changed		unchanged (last reporting: 2016)		non applicable
	changed												
x	unchanged (last reporting: 2009)												
	non applicable												
x	changed												
	unchanged (last reporting: 2016)												
	non applicable												

**CONVENTION ON THE PROHIBITION OF THE USE, STOCKPILING, PRODUCTION AND TRANSFER OF
ANTI-PERSONNEL MINES AND ON THEIR DESTRUCTION**

Reporting Formats for Article 7 ¹

STATE PARTY:	THE REPUBLIC OF CROATIA
DATE OF SUBMISSION	24 April 2018
POINT OF CONTACT	GOVERNMENT OFFICE FOR MINE ACTION, Mesnička 23, Zagreb, Croatia Tel: +385 1 6303 990; Fax: +385 1 6303 996; E-mail: info@mine.vlada.hr
	MINISTRY OF DEFENCE, Defence Policy Directorate, Department of Multilateral Affairs and International Security, Arms Control Section Tel: +385 1 3784 169; Fax: +385 1 3784 383; E-mail: nkovac@morh.hr
	CROATIAN MINE ACTION CENTER, Ante Kovačića 10, Sisak, Croatia Tel: +385 44 554 100; Fax: +385 44 554 111; E-mail: hcr@hcr.hr
	(Organization, telephones, fax, email) (ONLY FOR THE PURPOSES OF CLARIFICATION)

¹ These reporting formats informally provided by Austria on disk are based on document APLC/MSP.1/1999/L.4 of 31 March 1999, as amended and decided upon by the First Meeting of States Parties to the Convention on the Prohibition of the Use, Stockpiling, Production and Transfer of Anti-Personnel Mines and on Their Destruction, held in Maputo from 3 to 7 May 1999. Tables of formats may be expanded as desired.

Form A National implementation measures

Article 7.1 "Each State Party shall report to the Secretary-General ... on:
 a) The national implementation measures referred to in Article 9"

Remark: In accordance with Article 9, "Each State Party shall take all appropriate legal, administrative and other measures, including the imposition of penal sanctions, to prevent and suppress any activity prohibited to a State Party under this Convention undertaken by persons or on the territory under its jurisdiction or control".

State [Party]	The Republic of Croatia	Reporting for time period from	January 1, 2017	to	December 31, 2017
------------------	--------------------------------	-----------------------------------	------------------------	----	--------------------------

Measures	Supplementary information
On October 1, 2004 the Croatian Parliament passed a Law on Prohibition of the Use, Stockpiling, Production and Transfer of Anti-personnel Mines and on Their Destruction. On October 6, 2004 the Croatian President signed a Decision on the proclamation of the Law on Prohibition of the Use, Stockpiling, Production and Transfer of Anti-personnel Mines and on Their Destruction.	Law on Prohibition of the Use, Stockpiling, Production and Transfer of Anti-personnel Mines and on Their Destruction (Official Gazette, 141/04)

<p>Having recognized that mine/CM/UXO contamination is a problem of domestic security, economic development and environmental pollution, the Government of the Republic of Croatia decided to strengthen the existing system of mine action by creating its own Office for Mine Action as a focal point in 2012. The Office for Mine Action was established as a governmental body in charge of expert, analytical, counseling, and coordinative and other activities regarding the mine action in Croatia. As such, the Office also monitors the work, activities and operations of the Croatian Mine Action Center (CROMAC). Together with the participation in intergovernmental cooperation in the field of mine action, the Office also cooperates with different authorities in implementation of obligations under international treaties and conventions on prohibitions or restrictions on the use of certain types of conventional weapons that have unacceptable humanitarian impact, such as landmines, cluster munitions and other.</p>	<p>Decree on the Office for Mine Action (Official Gazette, 21/12)</p>
<p>The Law on Mine Action has been declared on 21 October 2015 and incorporates: governing the wider scope of activities (ERW victims assistance, information and education about the dangers of mines, UXO and their parts, socio-economic integration of the demined areas), introduction of a new procedure – Supplementary general survey, enabled exclusion of SHAs which have undergone technical survey, SOPs have been removed, CROMAC no longer performs the assessment activities of authorized legal entities for conducting demining operations and other changes in QA/QC procedures, accreditation of legal entities and misdemeanor law regulations.</p>	<p>Law on Mine Action (Official Gazette, 110/15)</p>
<p>Pursuant to the new Law on Mine Action, on 21 May 2016, “Regulations on demining, quality control, non-technical and technical surveys and marking of suspected hazardous areas” have entered into force, and on 29 June 2016, “Regulations on personal supervisory booklet and ID card of mine action employees and record forms” have entered into force.</p>	<p>Regulations on demining, quality control, non-technical and technical surveys and marking of suspected hazardous areas (Official Gazette, 45/16 and 27/17)</p> <p>Regulations on personal supervisory booklet and ID card of mine action employees and record forms (Official Gazette, 57/16)</p>

Form B Stockpiled anti-personnel mines

Article 7. 1 "Each State Party shall report to the Secretary-General ... on:

b) The total of all stockpiled anti-personnel mines owned or possessed by it, or under its jurisdiction or control, to include a breakdown of the type, quantity and, if possible, lot numbers of each type of anti-personnel mine stockpiled."

State [Party]	The Republic of Croatia	Reporting for time period from	January 1, 2017	to	December 31, 2017
------------------	--------------------------------	-----------------------------------	------------------------	----	--------------------------

Type	Quantity	Lot # (if possible)	Supplementary information
-	-	-	-
-	-	-	-
TOTAL	-		

The Republic of Croatia destroyed its entire stockpile of anti-personnel landmines according to Article 4 of the Convention (with the exception of a certain quantity retained under Article 3 of the Convention). The last amount of stockpiled anti-personnel landmines was destroyed at the Military Exercise Area "Crvena zemlja" near Knin on October 23, 2002 and was observed by a number of international observers. More detailed explanation is contained in Form "F".

Form C Location of mined areas

Article 7.1 "Each State Party shall report to the Secretary-General ... on:
 c) To the extent possible, the location of all mined areas that contain, or are suspected to contain, anti-personnel mines under its jurisdiction or control, to include as much details as possible regarding the type and quantity of each type of anti-personnel mine in each mined area and when they were emplaced."

State [Party]	The Republic of Croatia	Reporting for time Period from	January 1, 2017	to	December 31, 2017
---------------	--------------------------------	--------------------------------	------------------------	----	--------------------------

1. **Areas that contain mines²**

Location	Type	Quantity	Date of emplacement	Supplementary information
Brod-Posavina County	Anti-vehicle mines Anti-personnel mines	0 0	1990-1996	County declared mine-free at the end of 2017
Karlovac County	Anti-vehicle mines Anti-personnel mines	42 1.546	1990-1996	
Lika-Senj County	Anti-vehicle mines Anti-personnel mines	1.663 11.390	1990-1996	

² Given information is an estimation according to mine-field records in the CROMAC's database and annual demining report.

Osijek-Baranja County	Anti-vehicle mines Anti-personnel mines	4.362 1.643	1990-1996	
Požega-Slavonia County	Anti-vehicle mines Anti-personnel mines	40 923	1990-1996	
Sisak-Moslavina County	Anti-vehicle mines Anti-personnel mines	75 12.741	1990-1996	
Split-Dalmatia County	Anti-vehicle mines Anti-personnel mines	0 1.182	1990-1996	
Šibenik-Knin County	Anti-vehicle mines Anti-personnel mines	10 1.929	1990-1996	
Zadar County	Anti-vehicle mines Anti-personnel mines	249 1.476	1990-1996	
Total number of anti-personnel mines:		32.830	1990-1996	
Total number of anti-vehicle mines:		6.441	1990-1996	

2. Military facilities containing mines³

Location	Type	Quantity	Date of emplacement	Supplementary information
Barracks (Total: 1 barrack)	APM	5864	1991-1995	Barrack is partially mine-contaminated.
	AVM	37	1991-1995	
Training Sites (Total: 3 training sites)	APM	9.762	1991-1995	Training sites are partially mine-contaminated.
	AVM	970	1991-1995	
Storage Sites (Total: 3 storage sites)	APM	9.673	1991-1995	Some storage sites are partially, and some completely mine-contaminated.
	AVM	33	1991-1995	
Radar station (Total: 1 radar station)	APM	-	WW II, 1991-1995	
	AVM	-		
Shooting range (Total: 1 shooting range)	APM	-	1991-1995	
	AVM	-		
Other object (Total: 1 other object)	APM	-	1991-1995	
	AVM	-		
T O T A L	APMs (anti-personnel mines)	25.292	1991-1995	

³ Data are shown according to the existing mine field records.

(Information is related to the mined area and MSA in the size of 32.66 km ²)	AVMs (anti vehicle mines)	1.033	1991-1995	
In 2017 Croatian Army units demined an area of military facilities			TOTAL	481.900 m²

3. Areas suspected to contain mines

Location	Type	Quantity	Date of emplacement	Supplementary information
THE REPUBLIC OF CROATIA Total hazardous area at the end of 2017 was 411,5 km² out of which: 269,51 km² of confirmed hazardous areas (CHAs) 141,95 km² of suspected hazardous areas (SHAs)	Anti-personnel mines	32.830		Estimate according to number of minefield records in CROMAC database and annual demining report
	Anti-vehicle mines	6.441		Estimate according to number of minefield records in CROMAC database and annual demining report

Areas returned to the community for civilian use:

The size of areas returned to the community for civilian use during 2017		36.485.259 m²
Mine clearance was conducted by:		
- Commercial demining companies		29.885.067 m²
- General Survey reduction conducted by CROMAC		6.600.192 m²
TOTAL:		36.485.259 m²

During demining operations, within the reporting time period, the following devices were found and destroyed:

Anti-personnel mines	Anti-vehicle mines	Unexploded lethal ordnance	TOTAL
----------------------	--------------------	----------------------------	-------

CROMAC	Ministry of Defense (MoD) and Ministry of Interior (Mol)	CROMAC	MoD and Mol	CROMAC	MoD and Mol	
1.271	122	18	22	519	3.900	5.852

All counties, municipalities and towns with confirmed hazardous areas (CHAs) and suspected hazardous areas (SHA) were given the latest data on the situation of CHA/SHA, its borders, position and the number of warning signs, since they were given maps and provided with presentation of the issue. In this way, conditions for better cooperation with counties, municipalities and towns are fulfilled, especially regarding the marking of mine suspected areas.

Ministry of Defence: During 2017 the Demining battalion cleared an area totaling 481.900 m². APM and AVM were not discovered during the process. However, 279 pieces of UXOs were found and destroyed. The total mine contaminated area (mined area) and mine suspected area left for clearance amounts to 32.66 km². The accurate size of the mine contaminated and mine suspected area was determined after applying precise applications for the determination of geographic surfaces and the detailed determination of the boundaries of the military installations. Most of the MSA - 30.1 km² - belongs to the training sites.

Ministry of Interior: The Croatian Police department has continued its "Less arms, less tragedies" campaign. The citizens are being educated and encouraged to turn in their weapons and explosive ordnance from the Homeland War. The Police department also reacts on the basis of citizens' phone calls and sometimes finds large quantities of weapons within their investigations of various criminal activities. During 2017, the Police department collected 122 pieces of AP mines, 22 pieces of AV mines, 191 kg of different explosives, 2195 hand grenades, 870 pieces of different artillery and mortar ammunition, large amounts of various explosive materials (detonator capsules, fuses, and tracer ordnance), large quantities of SALW and over 454.506 pieces of munitions up to the calibre 14.5 mm. Weapons and explosive ordnances collected by the Police department are destroyed at Croatia's military facilities.

Achievements in 2017

The Annual Mine Action Plan for 2017 was prepared by the CROMAC, with the approval of several ministries, along with the authorities of the all mine contaminated counties in the Republic of Croatia. Through 73 preliminary demining projects, mine threat has been removed from an area that amounts to 29.9 km² while additional 6.6 km² was reduced through technical and non-technical survey activities. All these activities resulted in the total decrease of the suspected hazardous area in Croatia in the amount of 36.5

km² (+481.900 m² demined by the MoD). Suspected hazardous area in the Republic of Croatia on December 31, 2017 totaled 411.5 km². In 2017 the largest share in demined area is area planned for different economic activities like forest area and especially agricultural land which the local and regional governments have stated as their priority crucial for start of agricultural production and the other activities. During the mine clearance activities a total number of 1.808 mines and UXOs was found and destroyed, out of which, 1.289 mines and 519 UXOs (excluding MoD and MoI findings). As at the end of 2017, 89% of contaminated area was categorized as forested land, 10% as agricultural land and 1% as other land areas. Out of 411.5 km² of SHA or CHA, 59.7% can also be defined as Nature 2000 protected areas.

Throughout the 2017, there were 40 authorised demining companies employed in clearance operations during 2017. Their capacities included 676 deminers with 796 metal detectors, 99 MDDs and 45 demining machines.

CROMAC also keeps updated records on areas contaminated only with unexploded ordnance which relates also to cluster munitions and by December 31, 2017 that area was 1.06 km² in size and marked with 144 UXO hazard signs.

The Annual Mine Action Plan was realized using the following funding sources - State Budget funds, EU funds and donations. It is important to mention that, like in the previous reporting year, in 2017, funds acquired for the demining operations from the EU contribution surpassed the ones from the State budget and other sources. In 2017 EU funds had the biggest financing share with 58,48 % of total funds spent and contracted (State budget 40,75 %, donations 0,76%). Parallel with the implementation of the non-technical survey and search and demining operations, the control of marking and, if necessary, additional marking of suspected hazardous areas was conducted in order to create a clear boundary between safe and mine suspected areas. The locations of mine danger signs are one of the basic elements of the Mine Information System (MIS) that is shown on the maps given to the local authorities, police administration and individuals that have requested maps on SHA situation. On December 31, 2017 the total mine suspected area was marked with 13.563 mine danger signs, which means 15% increased marking per square kilometre in comparison to previous reporting year, emphasized by the fact of reduced total SHA.

Certain amount of Croatian military facilities including barracks, training areas, radar stations and storage sites are still partially contaminated by landmines, cluster munitions and other UXO. The Demining Battalion of the Engineering Regiment is responsible for clearance of all military facilities. During 2017, an area of 481.900 m² was searched and cleared. 297 pieces of UXO were discovered and destroyed; while AP and AV landmines were not found during the process.

Thanks to the **CROMAC Mine Information System portal (MISportal)** every Internet user can through this web application get an insight into SHA/CHA and positions of mine danger signs. This kind of SHA/CHA display through web application is unique in the world. Users are also through detailed maps provided with locations of mine danger signs. MISportal offers search of SHA/CHA by counties, municipalities, towns or settlements.

Form D APMs retained or transferred

Article 7.1 "Each State Party shall report to the Secretary-General ... on:

d) The types, quantities and, if possible, lot numbers of all anti-personnel mines retained or transferred for the development of and training in mine detection, mine clearance or mine destruction techniques, or transferred for the purpose of destruction, as well as the institutions authorized by a State Party to retain or transfer anti-personnel mines, in accordance with Article 3"

State [Party]	The Republic of Croatia	Reporting for time period from	January 1, 2017	to	December 31, 2017
---------------	--------------------------------	--------------------------------	------------------------	----	--------------------------

1. Retained for development of and training in (Article 3, para.1)

Institution authorized by State Party	Type	Quantity	Lot # (if possible)	Supplementary information
Mines are stored at the Croatian Armed Forces storage site "Borik" Velika Buna, and are used or going to be used by the Croatian Mine Action Centre	PMA-1	592	-	No serial mark on the mine or on the package
	PMA-2	643	SRB 6741, 6743, 6745, 6746, 6748,6749, 6750	
	PMA-3	1.132	SRB 8702	
	PMR-2A	848	-	No serial mark on the mine or on the package
	PMR3	70	PIG-8900	

Institution authorized by State Party	Type	Quantity	Lot # (if possible)	Supplementary information
	PROM-1	1.765	KV 00/64, 01/64, 05/65, 06/65, 07/65, 08/65, 11/65, 12/65, 03/65, 04/65, 02/66, 01/68, 02/68, 03/70, 03/70 03/76	
TOTAL	-----	5.050		

Based on the Agreement on the transfer of tasks, Article 2, signed between Croatian Mine Action Center and Center for Testing, Development and Training (CROMAC-CTDT) on October 30, 2003 CROMAC-CTDT Ltd. took over the activities and projects focused on performing administrative and technical tasks related to testing of machines, dogs and detectors, as well as scientific and research activities.

Total number of anti-personnel mines used in 2017 in accordance with Article 3 is the following:

Institution authorized by State Party	Type	Quantity	Used in military training for deminers	Total used in 2017
CROMAC CTDT Ltd. used AP mines for testing in 2017, and Training company of the Engineering Regiment used APMs for trainings in 2017	PMA-1A	7	1	8
	PMA-2	463	1	464
	PMA-3	7	0	7
	PMR-2A	0	1	1
TOTAL:		477		

During 2017, the Training Company of the Engineering Regiment conducted regular training and education for deminers, and they used 3 pieces of the following types of APMs: PMA-1A – 1 piece, PMA-2 – 1 piece, PMR-2A – 1 piece.

2. Estimate of the use of mines in year 2018

In 2018, the amount of anti-personnel landmines that will be used (and consequently destroyed) will be based on the needs for testing of demining machines. Demining battalion of the CAF will conduct its regular training and exercises of demining personnel and in the process they will use small amounts of APMs.

Form E Status of programs for conversion or de-commissioning of APM production facilities

Article 7.1 "Each State Party shall report to the Secretary-General ... on:

e) The status of programs for the conversion or de-commissioning of anti-personnel mine production facilities."

State [Party]	The Republic of Croatia	reporting for time period from	January 1, 2017	to	December 31, 2017
------------------	--------------------------------	-----------------------------------	------------------------	----	--------------------------

Indicates if to "convert" or "decommission"	Status (indicates if "in process" or "completed")	Supplementary information
-	-	-
-	-	-

The Republic of Croatia did not produce anti-personnel landmines.

Form F Status of programs for the destruction of APMs

Article 7.1 "Each State Party shall report to the Secretary-General ... on:
 f) The status of programs for the destruction of anti-personnel mines in accordance with Articles 4 and 5, including details of the methods which will be used in destruction, the location of all destruction sites and the applicable safety and environmental standards to be observed."

State [Party]	The Republic of Croatia	Reporting for time period from	January 1, 2017	to	December 31, 2017
---------------	--------------------------------	--------------------------------	------------------------	----	--------------------------

1. Status of programs for destruction of stockpiled APMs (Article 4)

The Republic of Croatia met its commitments by destroying of all its stockpiled anti-personnel landmines, except those retained under Article 3.	
Description of the status of programs including:	
Location of destruction sites: Military training area "Oštarski dolovi" near Slunj and "Crvena zemlja" near Knin.	Details of:
<ul style="list-style-type: none"> - Mines destroyed by: - Explosion (PMA-3, PMA-2, PROM-1) - Disassembling (PMA-1, PMR-2A) 	Methods
National safety standards are applied according to The MoD regulations, taking into account international standards for humanitarian demining.	Applicable safety standards
Mines were destroyed at military training areas away from inhabited areas (minimal distance 5 - 8 kilometers).	Applicable environmental standards

The destruction of stockpiled anti-personnel landmines was conducted in three phases and the following quantities of anti-personnel landmines were destroyed:

No	Type	Phase I (Sep 4 – Oct 26, 2001, and earlier)	Phase II (April 8 – July 5, 2002)	Phase III (Sep 9 – Oct 24, 2002)	TOTAL
1.	AP landmine PMA-1	7.875	3.831	2.574	14.280
2.	AP landmine PMA-2	9.979	21.032	13.865	44.876
3.	AP landmine PMA-3	19.372	23.667	16.662	59.701
4.	AP landmine PMR-2A, 2AS	21.364	32.027	20.649	74.040
7.	AP landmine PMR-3	-	4	-	4
8.	AP landmine PROM-1	2.144	3.382	576	6.102
TOTAL		60.734	83.943	54.326*	199.003

* During the Phase III, 53.908 anti-personnel landmines were initially destroyed. Additional 418 anti-personnel landmines were delivered by the MoI after the successful completion of their "Farewell to Arms" campaign whose aim was to collect weapons and other ERW. The total number of destroyed stockpiled anti-personnel landmines in Phase III was 54.326.

Apart from anti-personnel mines, during Phase III, the following additional quantities of fuses for anti-personnel landmines were destroyed:

No	Type	Phase I (Sep 4 – Oct 26, 2001)	Phase II (April 8 – July 5, 2002)	Phase III (Sep 9 – Oct 24, 2002)	TOTAL
1.	AP landmine fuse UPMR-2A, 2AS	2.390	13.063	23	15.476
2.	AP landmine fuse UPMR-3	1.840	11.136	280	13.256
3.	AP landmine fuse UPROM-1	1.474	10.250	146	11.870
4.	AP landmine fuse UPMAH-1	1.086	1.328	100	2.514
5.	AP landmine fuse UPMAH-2	936	830	194	1.960
6.	AP landmine fuse UPMAH-3	237	133	133	503
TOTAL		7.963	36.740	743	45.579

The process of destroying stockpiled anti-personnel landmines was observed by international monitors/observers on September 12 and 25, 2001 and on October 22/23, 2002. During the observation, the Republic of Croatia was commended for meeting its commitments pursuant to the Convention.

After an extensive overview, the increased number of stockpiled anti-personnel landmines was evidenced chronologically as follows:

First notified amount of stockpiled APMs	189.251
Collected after first MI action "Farewell to Arms"	3.531
TOTAL	192.782
Collected after second MI action "Farewell to Arms"	3.098
TOTAL	195.871
Military stocks inventory check evidenced a larger number of stockpiled APMs	9.460
TOTAL	205.331
Collected after third MI action "Farewell to Arms"	418
TOTAL	205.749

Total amount of APMs possessed by the Republic of Croatia	205.749
Total amount of destroyed APMs	199.003
Amount retained under Article 3 of the Convention ⁴	7.000

⁴ 268 anti-personnel landmines were destroyed during 2003 for the purposes according to Article 3 of the Convention.

The cost (in Euros) of destroying stockpiled APMs is the following:

No	Purpose	Phase I (Sep 4 – Oct 26, 2001)	Phase II (April 8 – July 5, 2002)	Phase III (Sep 9 – Oct 24, 2002)	TOTAL
1.	Daily payment to technicians	3.821	5.879	3.135	12.835 €
2.	Daily payment to supervisors	1.274	980	523	2.777 €
3.	Additional payment to technicians	3.821	5.879	3.135	12.835 €
4.	Accommodation costs for technicians	4.039	6.213	4.843	15.095 €
5.	Accommodation costs for supervisors	1.346	1.036	807	3.189 €
6.	Daily payment for drivers	1.274	1.952	1.045	4.271 €
7.	Costs of machines and vehicles	15.984	24.575	13.115	53.674 €
8.	Costs for explosive ordinance for ignition	2.175	3.346	446	5.967 €
TOTAL*		33.734 €	49.860 €	27.049 €	110.643 €

Salaries for all personnel involved in the process are not included in the abovementioned.

The cost of destruction per one anti-personnel landmine was 0.56 €.

2. Status of programs for destruction of APMs in mined areas (Article 5)

Description of the status of programs including:	Details of:
Location of destruction sites	
	Methods
	Applicable safety standards
	Applicable environmental standards

Form G APMs destroyed after entry into force

Article 7.1 "Each State Party shall report to the Secretary-General ... on:
 g) The types and quantities of all anti-personnel mines destroyed after the entry into force of this Convention for that State Party, to include a breakdown of the quantity of each type of anti-personnel mine destroyed, in accordance with Articles 4 and 5, respectively, along with, if possible, the lot numbers of each type anti-personnel mine in the case of destruction in accordance with Article 4"

State [Party]	The Republic of Croatia	Reporting for time period from	March 1, 1999	to	December 31, 2017
------------------	--------------------------------	-----------------------------------	----------------------	----	--------------------------

1. Destruction of stockpiled APMs (Article 4)

Type	Quantity	Lot # (if possible)	Supplementary information
TOTAL			

Information are provided in Form "F".

2. Destruction of APMs in mined areas (Article 5)

Type	Quantity	Supplementary information
TOTAL		

Information was given in previous reports.

Form H Technical characteristics of each type produced/owned or possessed

Article 7.1 "Each State Party shall report to the Secretary-General ... on:

h) The technical characteristics of each type of anti-personnel mine produced, to the extent known, and those currently owned or possessed by a State Party, giving, where reasonably possible, such categories of information as may facilitate identification and clearance of anti-personnel mines; at a minimum, this information shall include the dimensions, fusing, explosive content, metallic content, color photographs and other information which may facilitate mine clearance"

State [Party]	The Republic of Croatia	Reporting for time period from	January 1, 2016	to	December 31, 2016
------------------	--------------------------------	-----------------------------------	------------------------	----	--------------------------

Technical characteristics of each APM-type currently owned or possessed

Type	Dimensions	Fusing	Explosive content		Metallic content	Colour photo attached	Supplementary information to facilitate mine clearance.
			Type	Grams			

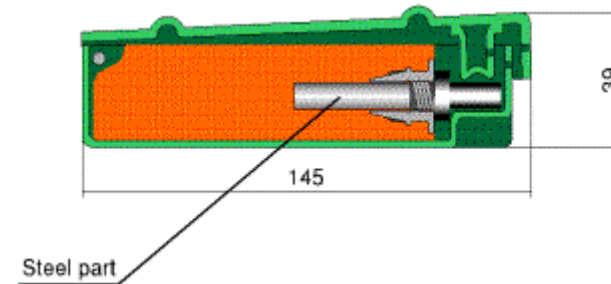
At the end of 2017, the Republic of Croatia was in possession of 5.050 anti-personnel landmines retained under Article 3 of the Convention, as described in form "D".

Name : PMA-1A

Type : Anti-personnel antimagnetic pressure mine

Description : Antimagnetic anti-personnel landmine, colored olive drab, no markings. Activated by the pressure of approx. 3 kp. Can be buried to the depth of 3-5 cms. Often an additional TNT charge (TM-200) is placed under it to increase the lethality. Causes heavy injuries to the person activating it.

Technical data



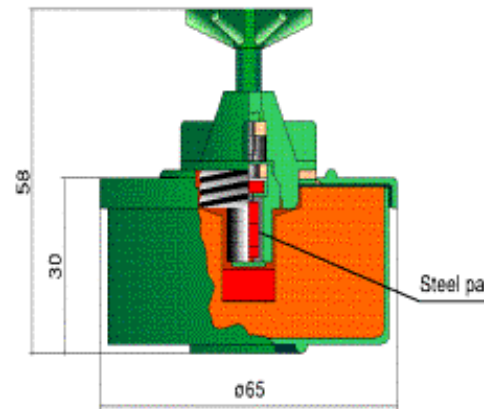
Length : 145 mm
Width : 68 mm
Height : 39 mm
Mass : 400 g
Explosive charge : 200 g TNT
Body : Plastic
Colour : Olive-drab
Fuse type : Chemical
Mode of activation: Pressure
Sensitivity : 3 – 18 kps
Detectability : Very hard to detect by the magnetic mine detector (minimal metal contents)
Mode of operation : The pressure of 3-18 kps on the lid of the mine will break the fuse containing the chemical compound sensitive to friction, which will incinerate and activate the detonator cap by spark. The detonator cap, in turn, will detonate the explosive charge of the mine. The effect of the mine is the direct blasting effect to a person stepping on it.

Name : PMA-2

Type : Anti-personnel antimagnetic pressure mine

Description : Non-metallic anti-personnel mine the size and shape of the liver paste tin, hence the popular name "liver paste." Recognizable by the characteristic star-shaped fuse. Mostly colored olive-drab, but there are white ones. Activated by approx. 5 kps pressure. Can be placed upside down to hide the fuse. Causes grave injuries to the person activating it.

Technical data



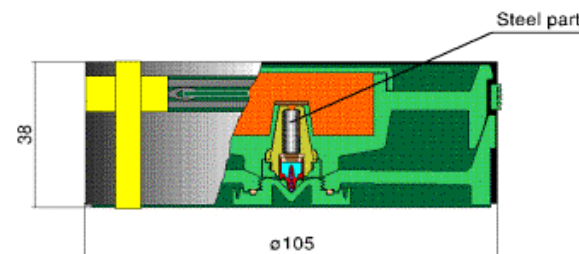
Diameter : 65 mm
Height : 58 mm (with fuse)
Mass : 135 g
Explosive charge 70 g paraffin-protected TNT
Casing : Plastic
Colour : Olive-drab
Fuse type : Chemical
Mode of activation: Pressure
Sensitivity : 5 – 15 kps
Detectability : Very difficult to detect by magnetic mine detector (minimal metal contents)
Mode of operation : Pressure of 5 and more kps to the pressure star will cause the needle to penetrate the membrane, penetrate through the incendiary compound causing the incineration by friction. Pulse of flame will be carried to the detonator cap, which in turn carries the detonation to the explosive charge. The effect of the mine is the blast of the explosive to the person stepping on the mine.

Name : PMA-3

Type: Anti-personnel antimagnetic pressure mine

Description: Antimagnetic anti-personnel mine, activated by pressure to the upper round pad in any direction. The body of the mine is cylindrical and made of plastic. It consists of the upper and lower part connected in the centre, and forming a swivel along the rim. Both parts are connected along the edge by rubber. The lower part contains the fuse well. The mine is waterproof and is therefore often placed on the riverbanks and in shallow waters, and can remain live for many years after it is placed. The explosive charge is in the upper part of the body and effects are considerably stronger than with e.g. blast of PMA-2.

Technical data



Diameter : 105 mm

Height : 38 mm

Mass : 183 g

Explosive charge 35 g TNT

Casing : Plastic / rubber

Colour : Olive / black

Fuse type : Chemical

Mode of activation: Pressure

Sensitivity : 3 - 15 kps

Detectability : Very difficult to detect by the magnetic mine detector (minimal metal contents)

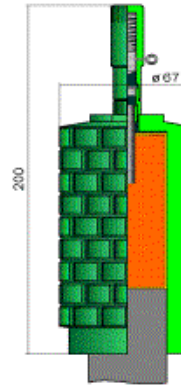
Mode of operation : Pressure of 3 and more kps to the upper part of the mine one of the sides of the upper part will bring closer to the bottom part, breaking the circular carrier of the initial (incendiary) compound, causing it to incinerate. The impulse of flame is transferred to the detonator cap, which transfers the detonation to the main explosive charge of the mine. The blast effect is aimed at the person activating the mine.

Name : PMR-2A

Type : Anti-personnel fragmentation mine – tripwire activated

Description : The body of the mine is cylindrical, made of cast steel, prefragmented on the outer surface for more regular fragmentation, and smooth from the inner side, containing the explosive charge. It is placed on top of the wooden or metallic post stuck into the ground. One or more tripwires are connected to the fuse on top of the mine. The pulling force of 3 kps or more on the tripwire activates the mine. When the mine is activated, fragments are lethal within 25 m radius in any direction, and cause injuries in the radius of up to 100 m. depending on the desired effects of the mine, two types of fuses can be used. If, together with the main blast effect of the mine illumination of the field around it is desired, instead of the UPM-2a fuse, UPM-2AS fuse with illumination flare can be used.

Technical data



Diameter : 66 mm

Height : 140 mm (body only), 200 mm with fuse

Mass : 1.7 kps

Explosive charge : 100 g TNT

Made of : Cast steel

Colour : Olive-drab

Fuse type : Mechanical – pulling (standardized for this type of mine)

Activation mode : Pulling of tripwire (no delay)

Sensitivity : 3 kps (depending on the condition of the safety feature of the firing pin and firing pin in the fuse)

Detectability : Visual, as it is placed on the post

Lethal radius : 25 m

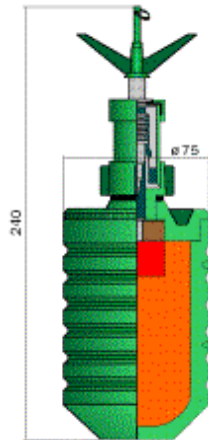
Danger radius : 100 m

Mode of operation : By pulling the tripwire with the force of 3 or more kps, safety feature is pulled out of the fuse body, releasing the firing pin which, driven by the spring, hits the initiating part and activates it. The detonation pulse is transferred to the detonator cap, which detonates, into the main explosive charge of the mine. The blast breaks the body of the mine into small pieces (fragments) directed radially from the place of activation of the mine and which achieve lethal or maiming effect.

Name : PMR-3

Type : Anti-personnel fragmentation mine

Description : The body of the mine is cylindrical, made of wrought iron and prefragmented – cut for easier disintegration into small pieces, while the inner side is smooth. On the side of the body there are two carriers for attachment of the mine to the appropriate stake (provided with the mine). To keep the tripwire as close to the ground as possible this mine is often placed upside down. The central part of the fuse can be rotated and five tripwires can be attached to it. This mine is colored olive-drab and often the name is stenciled in black on the body. It is activated by the pressure of 9 kps on the top of the mine or pull of 3 kps to the tripwire. Fragments are lethal in the radius of 50 m, and dangerous in the radius of 100 m.



Technical data

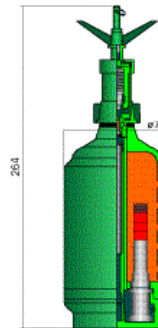
Diameter : 75 mm
Height : 240 mm
Mass : 1.7 kgs
Explosive charge : 410 g TNT
Material : Wrought steel
Colour : Olive-drab
Fuse type : Radial pull – pressure type
Sensitivity : Pressure 9 - 15 kps, pull 3 - 8 kps
Detectability : Visual, the mine is placed on the stake
Lethal radius : 25 m
Danger radius : 50 m

Mode of operation : By pulling at the tripwire with the force of 3 kps and more the carrier of the firing pin releases the firing pin which, influenced by the spring, strikes the initializing part of the detonator and activates it. The spark is carried to the detonator cap, which activates the main explosive charge. The blast breaks the body into small fragments directed radially from the spot of detonation, and achieving lethal or maiming effect.

Name : PROM-1

Type : Anti-personnel bounding fragmentation mine

Description : Olive-drab mine with smooth body placed underneath the surface to the neck of the fuse. The body is prefragmented from the inner side. It is recognizable by the safety device with four ends protruding from the ground. The ring on the top of the central part facilitates the attachment of five tripwires simultaneously. When activated, the mine bounces from its layer in the ground to the height of 0.7 – 0.8 meters and detonates. Explosive charge is most commonly 425 grams of cast TNT that is sufficient for the lethal radius of 50 meters, and danger radius of 100 meters. It is often found placed as a booby-trap on paths, forest roads, entrances in industrial plants and elsewhere.



Technical data

Diameter : 75 mm
Height : 264 mm (body and fuse)
Mass : 3 kps
Explosive charge : 425 g cast TNT
Material : Wrought steel
Colour : Olive-drab
Fuse type : Pressure - pull (radial)
Sensitivity : Pressure 9 kps, tripwire 3 kps
Detectability : Visual identification of the tripwire or protruding assembly, considerable metallic mass
Lethal radius : 25 m (360 degrees)
Danger radius : 50 m (360 degrees)
Mode of operation: Pulling of the tripwire or pressure to the crown of the fuse releases the firing pin, which strikes the initiating cap. The initiating cap lights the delay, which carries the pulse to the powder charge, which ejects the mine from the ground. After the mine had been ejected from the ground, due to the pull of the wire on the internal fuse, the fuse activates and the detonation is carried to the main explosive charge which blasts the body and scatters the fragments radially from the mine. The effect is expressed through the explosive blast and strike of the fragments.

Form I Measures to provide warning to the population

Article 7.1 "Each State Party shall report to the Secretary-General ... on:
i) The measures taken to provide an immediate and effective warning to the population in relation to all areas identified under paragraph 2 of Article 5."

Remark: In accordance with Article 5, para.2: "Each State Party shall make every effort to identify all areas under its jurisdiction or control in which anti-personnel mines are known or suspected to be emplaced and shall ensure as soon as possible that all anti-personnel mines in mined areas under its jurisdiction or control are perimeter-marked, monitored and protected by fencing or other means, to ensure the effective exclusion of civilians, until all anti-personnel mines contained therein have been destroyed. The marking shall at least be to the standards set out in the Protocol on Prohibitions or Restrictions on the Use of Mines, Booby-Traps and Other Devices, as amended on 3 May 1996, annexed to the Convention on Prohibitions or Restrictions on the Use of Certain Conventional Weapons Which May Be Deemed to Be Excessively Injurious or to Have Indiscriminate Effects".

State [Party]	The Republic of Croatia	Reporting for time period from	January 1, 2017	to	December 31, 2017
---------------	--------------------------------	--------------------------------	------------------------	----	--------------------------

Dissemination of information about the Convention to civilian population includes wide range of mine risk education (MRE) activities. Croatian ministries, government and state administrative offices as well as professional groups working with and for adults and children in Croatia, including NGOs and international organizations, pass specific training according to their role in the national implementation of the Convention. Croatian Red Cross with its branches (in local communities), the CROMAC and the Association of Civil Victims of the Homeland War are active in MRE events and lectures. The lectures always bear in mind that MRE is effective in terms of reducing the number of mine casualties. Presentations (lectures) about dangers of mine/UXO were organized for children, adults, and especially for target groups (hunters, fishermen, farmers, public companies employees etc.).

Promotion to the public and the media is an especially important way to directly spread safety messages on the dangers of ERW, which seeks to inform as many citizens at local and national level. Creating and distributing posters, flyers, brochures, etc. and publishing news stories in print and electronic media (radio and TV spots) includes a significantly larger number of citizens, and further points to the still present danger of landmines in Croatia.

In 2017, the CROMAC coordinated a large number of activities related to informing about mine danger. Through 77 lectures and presentations, more than 27.890 citizens were educated in 2017. Majority of them were kindergarten and elementary school

children. Special education was given to the members of hunting associations, Croatian Mountain Rescue Service, hikers, farmers and tourists. Education was provided in Capital of Zagreb and 14 other counties.

The largest number of activities related to the education about dangers of mines and UXO were done in cooperation with the Mol and the relevant police departments through the "Less arms, less tragedy" campaign where more than 26.800 people were educated through 66 lectures. The cooperation was also achieved with: Croatian Hunting Federation, Croatian Red Cross, "Lions club" Beli Manastir, Disability Volleyball Club "Zagreb", county, city and municipal governments and other organizations of civil society. All actions and activities in mine action in Croatia and worldwide were presented on web pages of the CROMAC and the Government Office for Mine Action. Central ceremony marking April 4 - International day of Mine Awareness and Assistance in Mine Action - was held in the Town of Glina in co-organization of the Government Office for Mine Action and the CROMAC.

Form J: Other relevant matters

Remark: State Parties may use this form to report voluntarily on other relevant matters, including matters pertaining to compliance and implementation not covered by the formal reporting requirements contained in Article 7. States Parties are encouraged to use this form to report on activities undertaken with respect to Article 6, and in particular to report on assistance provided for the care and rehabilitation, and social and economic reintegration, of mine victim.

State [Party]	The Republic of Croatia	Reporting for time period from	January 1, 2017	to	December 31, 2017
---------------	--------------------------------	--------------------------------	------------------------	----	--------------------------

1. Mine incidents and mine victims in 2017

In 2017, there were no mine incidents / accidents and / or related casualties in the Republic of Croatia.

Table 1. Number of incidents and injuries types

Number of incidents	Light physical injury	Killed	Heavy physical injury	Total
n/a	n/a	n/a	n/a	n/a

Table 2. Details about incidents

Month	County	Municipality	Mine type	Gender	Status	Type of injury
n/a	n/a	n/a	n/a	n/a	n/a	n/a

2. Mine victims' assistance in 2017

The Republic of Croatia has developed public health care structure that includes clinics, clinical centers, specialized polyclinics, hospitals and rehabilitation centers. All persons being involved in the incidents are entitled to health protection and acquisition of orthopedic aids to the amount covered by the Croatian Health Insurance Institute. These rights are regulated by a number of laws, rules and regulations. Relevant state administration authorities were involved in solving the problems of mine victims relating to medical rehabilitation. In accordance with the Law on Mine Action, mine victims assistance was conducted with the coordinating role of the Government Office for Mine Action and in co-operation with CROMAC, relevant ministries and NGOs. The main aim of such approach is to improve the quality of life of people injured by mines and UXOs as well as their families. Competent government authorities dealt with problems of mine victims in the part of medical rehabilitation. Other forms of aid were mainly implemented by non-governmental sector, and funding was secured through donations from international and domestic entities. Most importantly, efforts to provide advisory support to mine victims and their families and to collect data on mine victims and their needs during the process of non-technical survey in continuation of the 2014 project conducted by the Government Office for Mine Action and the CROMAC with a goal of establishing unique Mine Victim Database, have been continued. This will be financed through the Swiss-Croatian Cooperation programme and implemented through the "Demining and Socio-economic Integration" project whose correlated socio-economic component has a goal of establishing functional mine victims' data base to serve as a basis for developing further and strengthened policy actions for mine victims.

3. Mine risk education in 2017

A variety of mine risk education (MRE) activities, such as marking of mine suspected area, possibility of getting an insight into mine situation through submission of SHA/CHA maps and CDs as well as using [CROMAC web portal](#) have a positive effect on the prevention of mine incidents, but also require additional activities of informing the public and media with mine action aspects.

Comprehensive MRE facilitated that in 2017, there were no mine incidents / accidents or related casualties in the Republic of Croatia.

In 2017, the CROMAC coordinated a large number of activities related to informing about mine danger. Through 77 lectures and presentations, more than 27.890 citizens were educated in 2017. Majority of them were kindergarten and elementary school children. Special education was given to the members of hunting associations, Croatian Mountain Rescue Service, hikers, farmers and tourists. Education was provided in Capital of Zagreb and 14 other counties.

The largest number of activities related to the education about dangers of mines and UXO were done in cooperation with the Mol and the relevant police departments through the "Less arms, less tragedy" campaign where more than 26.800 people were educated through 66 lectures. The cooperation was also achieved with: Croatian Hunting Federation, Croatian Red Cross, "Lions

club” Beli Manastir, Disability Volleyball Club “Zagreb”, county, city and municipal governments and other organizations of civil society. All actions and activities in mine action in Croatia and worldwide were presented on web pages of the CROMAC and the Government Office for Mine Action.

Central ceremony marking April 4 - International day of Mine Awareness and Assistance in Mine Action - was held in the Town of Glina in co-organization of the Government Office for Mine Action and the CROMAC.

4. Croatia’s 2nd Request for the Article 5 deadline extension

2nd Request for an extension of the deadline for completing the destruction of antipersonnel mines in mined areas in accordance with Article 5, paragraph 1 of the Convention on the Prohibition of the Use, Stockpiling, Production, and Transfer of Anti-Personnel Mines and on Their Destruction, has been submitted to the Anti-Personnel Mine Ban Convention’s Committee on Article 5 Implementation on 29th March 2018.

Croatia is requesting a 7 year extension of its deadline for completing the destruction of all antipersonnel mines in mined areas (i.e. until 1st March 2026) on the basis that this is a realistic but not unambitious amount of time given the extent of the remaining problem and the human, material and financial resources available or expected, and the demining and survey capacities available. In the first six years, all known minefields would be cleared, and in the remaining one year period, entire hazardous area would be released. The **2nd Request for the Article 5 deadline extension of the Republic of Croatia** is available on the following link: <https://bit.ly/2K1A1Vd>.

5. Additional information on international cooperation and assistance – project “Demining and Socio-Economic Integration” (financed by the Swiss Confederation in the wider framework of the “Swiss-Croatian Cooperation Programme”)

The project consists of two complementary components which basically represent two key pillars of mine action in general – humanitarian demining and assistance to mine victims. First, the demining of highly contaminated and dangerous area of the Kotar Forest in the Sisak-Moslavina County will start. The demining of Kotar Forest is a precondition to ensure safety and security of the population in the area. Second, the programme of socio-economic empowerment of mine victims will be carried out and implemented through the establishment of a comprehensive database and needs assessment of mine victims and direct support of mine victims through different programs that will help increase employability and competitiveness in the labor market. These activities will be implemented to the whole area of the Republic of Croatia that has been affected by the Homeland War.

Implementation period of the project activities will be 48 months. Thus, demining component will be completed fairly quickly while the socio-economic empowerment will be conducted in the longer run due to the comprehensive approach which will be applied, involving a broader frame of actors in order to integrate victim assistance into structural frameworks that will ensure assistance is being provided to people on the ground. This network will include relevant ministries (health care, war veterans etc.) as well as public institutions (ombudsman for persons with disabilities, employment service, institute for public health, pension insurance institute etc.).

Total budget of the project is 3.530.000,00 CHF and national co-financing budget is 533.404,40 CHF. Total value of the demining contract is 2.814.000,00 CHF out of which 2.391.900,00 CHF is Swiss contribution and 422.100,00 CHF is national co-financing. Total value of socio-economic component is 716.000,00 CHF out of which 604.695,60 CHF is Swiss contribution and 111.304.40 CHF is national co-financing.

According to data gathered in the CROMAC's "Database on Mine Incidents" in the period from 1996 to 2016 there were 595 casualties from which 203 killed. And particularly the Sisak-Moslavina County is one of the areas in Croatia with the highest number of post-war casualties (from 1996 to 2016, 114 persons were involved in mine incidents, with 38 fatalities and 48 heavily injured; in the Kotar forest, in the same period, 16 mine incidents were registered, of which 10 were fatal and 6 were with serious injuries). The Sisak-Moslavina County ranks as the second most mine contaminated county in Croatia (approx. 70 km²) and of the total mine suspected area 74% are forests and forest land. About 15 km² of total Petrinja township area (380 km²) is mine suspected, posing a danger to the inhabitants and jeopardizing their socio-economic development. More than half of mine suspected area is located in the Kotar forest, which was a former military front line and partially occupied territory during the Homeland War. In short, land contaminated by mines and ERW continue to inflict human suffering and impede post-conflict development.

It is expected that the demining activities will start in the 3rd quarter of 2018.

- PROTOCOL V -

**REPORTING FORMS
PURSUANT TO ARTICLE 10, PARAGRAPH 2 (b) OF THE PROTOCOL AND THE
DECISION OF THE FIRST CONFERENCE OF THE HIGH CONTRACTING
PARTIES TO PROTOCOL V**

(As adopted by the First Conference at its second plenary meeting on 5 November 2007)

HIGH CONTRACTING PARTY: THE REPUBLIC OF CROATIA

NATIONAL POINT(S) OF CONTACT (Organization, telephones, fax, e-mail):

Office for Mine Action, Mesnička 23, Zagreb, Croatia
Phone +385 1 6303 990; Fax. +385 1 6303 996
E-mail: info@mine.vlada.hr, Web: mine.gov.hr

Ministry of Defense
Defense Policy Directorate
Department of multilateral Affairs and International Security
Arms Control Section
Phone: +385 1 3784 169, Fax: +385 1 3784 383
E-mail: nkovac@morh.hr

Croatian Mine Action Center, Ante Kovačića 10, Sisak;
Phone: +385 44 554 151; Fax No. +385 44 554 142; hcr@hcr.hr; WEB: www.hcr.hr

DATE OF SUBMISSION: 16 April 2018

(dd/mm/yyyy)

This information can be available to other interested parties and relevant organizations

YES

NO

Partially, only the following forms:

A B C D E F G H I

- PROTOCOL V -

FORM A: Steps taken to implement Article 3 of the Protocol: Clearance, removal or destruction of explosive remnants of war

High Contracting Party: THE REPUBLIC OF CROATIA

Reporting for time period from: 01/01/2017 to 31/12/2017
[dd/mm/yyyy] [dd/mm/yyyy]

Steps taken to implement the provisions of Article 3:

Through 73 preliminary demining projects, mine threat has been removed from an area that amounts to 29.885.067 m² while additional 6.600.192 m² was reduced through technical and non-technical survey activities. All these activities resulted in the total decrease of the suspected hazardous area in Croatia in the amount of 36.5 km². (+ 481.900 m² demined territory of MoD) Suspected hazardous area in the Republic of Croatia on December 31, 2017 totalled 411,5 km².

In 2017 the largest share in demined area is area planned for different economic activities like forest area and especially agricultural land which the local and regional governments have stated as their priority crucial for start of agricultural production and the other activities. During the mine clearance activities a total number of 1.808 mines and UXOs was found and destroyed, out of which, 1.289 mines and 519 UXOs.

Table 2: Number of mines and UXO destroyed in the period 01/01/2017 – 31/12/2017

Year	Anti-personnel Mines	Anti-vehicle Mines	UXO
2017.	1.271 (+ 122 by MoD and MoI)	18 (+ 22 by MoD and MoI)	519 (+ 3900 by MoD and MoI)

Any other relevant information:

During the implementation of quality control, the CROMAC quality control supervisors and QC staff, in 42 cases found that mine clearance operations did not meet the prescribed quality requirements and have ordered repetition of demining activities in an area of 84,905 m². Moreover, during the implementation of the final quality control, in 29 cases, the Commission for the final QC has established that demining activities have not been performed in accordance with the regulations and it was ordered to repeat the activities in these areas amounting to 41,559 m² in size.

Mine clearance capacities include a complete equipment of 40 demining companies that were authorized by the Ministry of Interior to perform demining activities in 2017.

All the employees that work in mine clearance are wearing protective equipment that consists of flack jacket with protection for groins and helmets with visors. For special cases of UXO demolition, companies use ballistic suits. Following equipment is in usage for humanitarian demining activities: metal detectors, demining machines of all types (medium, light and heavy), excavators, machines for vegetation clearing and mine detection dogs. In Croatia, mine clearance actions are mostly performed as a combination of mechanical demining, manual detection and mine-searching dogs. CROMAC's Standard Operating Procedures (SOPs) also prescribe the entire methodology of humanitarian demining activities. Frequent use of demining machines puts Croatia among the leading states with mechanical mine clearance.

Certain amount of the Croatian military facilities including barracks, air bases, training areas, radar stations and storage sites are still partially contaminated by land mines, cluster munitions remnants and other UXO's. The Demining battalion of the Engineering regiment is responsible for clearance of all military facilities.

During the year 2017, an area of 481.900 m² was searched and cleared, 279 pieces of UXOs were discovered and destroyed; AP and AV landmines were not discovered during the process. MoI collected 122 pieces of AP and 22 pieces of AV landmines and 3621 pieces of UXO's. This amount was destroyed too.

- PROTOCOL V -

FORM B: Steps taken to implement Article 4 of the Protocol: Recording, retaining and transmission of information

High Contracting Party: THE REPUBLIC OF CROATIA

Reporting for time period from: 01/01/2017 to 31/12/2017
[dd/mm/yyyy] [dd/mm/yyyy]

Steps taken to implement the provisions of Article 4 and the Technical Annex:

At the beginning of 2017, 65 towns and municipalities in 9 out of 21 counties were affected by mine problem. Total mine suspected area of the Republic of Croatia at the beginning of the 2017 amounted to 446,6 km², with approx. 40.000 mines and UXOs that still have to be found and destroyed.

On December 31, 2017 the total suspected hazardous area was marked with 13.563 mine danger signs that are one of the basic elements of the Mine Information System (MIS) that is shown on the maps given to the local authorities, police administration and individuals that have requested maps on SHA situation.

Annual Mine Action Plan is based on priorities and requests of counties that are compliant to their development programs, programs of reconstruction and return of displaced people, needs and requests of public companies and other demining beneficiaries, defined mined and mine suspected area and financial means secured. The Plan is approved by the Croatian Government and Annual Report is adopted by the Croatian Parliament.

CROMAC created the Mine Action 2017 Plan with the consent of the Ministry of Interior, Ministry of Finances, Ministry of Defence, Ministry of Maritime Affairs, Transport and Infrastructure, Ministry of Regional Development and EU Funds, Ministry of Culture, Ministry of Environment and Nature Protection, Ministry of Tourism, Ministry of Economy, Ministry of Construction and environmental planning, Ministry of agriculture, Ministry of Business and trade, the National Protection and Rescue Directorate and all mine contaminated counties in the Republic of Croatia.

Any other relevant information:

Current National Mine Action Strategy of the Republic of Croatia was approved by Croatian Parliament in mid-September 2009 and it consists of all relevant information on mine action since 1991, current status of mine suspected area (size, positioning, structure and impact on society and economy), a description of available capacities for mine action execution and their performance and basic goals to be achieved in the period 2009 to 2019, with an established method and preconditions for their realization.

- PROTOCOL V -

FORM C: Steps taken to implement Article 5 of the Protocol: Other precautions for the protection of the civilian population, individual civilians and civilian objects from the risks and effects of explosive remnants of war

High Contracting Party: THE REPUBLIC OF CROATIA

Reporting for time period from: 01/01/2017 to 31/12/2017
[dd/mm/yyyy] [dd/mm/yyyy]

Steps taken to implement the provisions of Article 5 and the Technical Annex:

In 2017, the CROMAC coordinated a large number of activities related to informing about mine danger. Through 77 lectures and presentations, more than 27.890 citizens were educated, with majority being kindergarten and elementary school children. Special education was given to the members of hunting associations, Croatian mountain rescue service, hikers, farmers and tourists. Education was provided in Capital of Zagreb and 14 other counties.

The largest number of activities related to the education about dangers of mines and UXO were done in cooperation with the Ministry of Interior and the relevant police departments through the "Less arms, less tragedy" campaign where more than 26.800 people were educated as a part of 66 organized lectures. The cooperation was also achieved with: Croatian Hunting Federation, Croatian Red Cross, Lions Club Beli Manastir, Disability Volleyball Club Zagreb, county, city and municipal governments and other non-governmental organizations and associations.

"Together for Croatia without Mines" campaign has been implemented by the Disability Volleyball Club "Zagreb"-operation with Croatia without Mines Trust Fund, Government Office for Mine Action and Mine Association. Also national day of Mine Awareness and Assistance in Mine Action, was held in April in the Town of Glina during which intensified media activities have been organised with a goal to educate the citizens about mine dangers.

Any other relevant information:

The Republic of Croatia has well-developed legal framework relating to the persons with disabilities in realizing their legitimate rights and status. The status and various forms of rights are being realized through over 200 different laws and by-laws. There are 4 basic forms of mine victim assistance the ministries, different institutions, non-governmental sector, a number of organizations and individual initiatives take part in-medical care, physical rehabilitation, psychological help and social reintegration and professional and economic rehabilitation.

In 2017, there were no mine incidents / accidents or related casualties in the Republic of Croatia.

- PROTOCOL V -

FORM D: Steps taken to implement Article 6 of the Protocol: Provisions for the protection of humanitarian missions and organizations from the effects of explosive remnants of war

High Contracting Party: THE REPUBLIC OF CROATIA

Reporting for time period from: 01/01/2017 to 31/12/2017
[dd/mm/yyyy] [dd/mm/yyyy]

Steps taken to implement the provisions of Article 6:

Every humanitarian mission or organization that is coming to Croatia with goal to help or to get involved in demining action in Croatia can get all relevant information in the CROMAC. CROMAC will provide information about ERW, mine suspected area, priorities and all other topics that could be point of interest of those organizations. That is one of the CROMAC's main tasks.

CROMAC tasks are as follows:

- Collecting and processing data about the SHA and database management,
- Planning of demining operations and organizing public tenders for awarding demining operations,
- SHA marking,
- Drafting of demining and technical survey projects,
- Quality assurance and quality control over demining operations,
- Issuance of demining certificates,
- Co-ordination of MRE activities,
- International co-operation.

Any other relevant information:

N/A

- PROTOCOL V -

FORM E: Steps taken to implement Article 7 of the Protocol: Assistance with respect to existing explosive remnants of war

High Contracting Party: THE REPUBLIC OF CROATIA

Reporting for time period from: 01/01/2017 to 31/12/2017
[dd/mm/yyyy] [dd/mm/yyyy]

Steps taken to implement the provisions of Article 7:

The Republic of Croatia confirmed its resoluteness in solving the mine problem by passing the Law on Humanitarian Demining in 1996, establishing the Croatian Mine Action Centre in 1998, fulfilling the commitments undertaken by joining the Convention on the Prohibition of the Use, Stockpiling, Production and Transfer of Anti-Personnel Mines and on Their Destruction as well as providing for permanent and stable sources of financing in the State budget, in the World Bank loans and from public companies in the Republic of Croatia. Croatia ratified the Convention on 28 May 1998 and submitted its initial transparency report, on 3 September 1999, providing information on areas that contain or are suspected to contain anti-personnel mines.

Croatia has, together with another 14 countries, successfully presented the Request for the extension of Article 5 deadline at the 9th Meeting of the State Parties held in Geneva from November 24-28, 2008. Deadline extension was granted to Croatia until year 2019.

Republic of Croatia was one of the first to ratify the Convention on Cluster Munitions in the first trimester of 2009. Accordingly, the CROMAC has developed SOPs that regulate the marking of the areas in which there is the danger of cluster munitions, and made signs indicating the dangers of unexploded ordnance and cluster munitions.

The Republic of Croatia and all institutions and organizations involved in mine action are, in frame of our law competence, ready and open for cooperation and consulting with other parties to solve any problem that may arise in interpretation and applying method of this Protocol provisions.

In the year 2017, CROMAC continued all activities towards fulfilling the obligations from the signed conventions and protocols. In March 2018 Croatia submitted the Second Request for the extension of Article 5 deadline of the Convention on the Prohibition of the Use, Stockpiling, Production and Transfer of Anti-Personnel Mines and on Their Destruction. This request will be discussed at the next Meeting of the State Parties in 2018.

First deadline extension was granted to Croatia until March, 2019.

Any other relevant information:

N/A

- PROTOCOL V -

FORM F: Steps taken to implement Article 8 of the Protocol: Co-operation and assistance

High Contracting Party: THE REPUBLIC OF CROATIA

Reporting for time period from: 01/01/2017 to 31/12/2017
[dd/mm/yyyy] [dd/mm/yyyy]

Steps taken to implement the provisions of Article 8:

Technical cooperation:

- In November, 2017 – beginning of the project entitled “Biological Methods (Bees) for Explosive Detection” financed by the NATO Science for Peace and Security Programme. The participants of the project are: HCR-CTRO d.o.o., project coordinator, Faculty of Transport and Traffic Sciences from the University of Zagreb, University from Banja Luka and University from St. Andrews. Duration of the project is three years, and its goal is to develop innovative methods and technologies for landmine detection through the advancement and integration of current state of the art techniques – honeybees in combination with explosive vapour sensors and advanced imaging techniques.

Testing and certification:

At the HCR-CTRO test sites in Cerovac / Benkovac:

- In May, 2017 - At the HCR-CTRO d.o.o. Benkovac testing polygon, a research team from the University of Manchester conducted a trial of experimental detection equipment. The aim of the project is to help counter the problems of discrimination of targets in uncooperative (highly mineralised) soils and to research more advanced electromagnetic detectors to the benefit of the international mine action community. The trial is financed by the British charity Find a Better Way.
- During September, 2017 - HCR-CTRO d.o.o. provided testing of a Zone Depollution System (SDZ) machine owned by a French company CEFA. The test took four weeks and was conducted in accordance with the IMAS Test and Evaluation Protocol for machines (CWA 15044).

Training:

One of the main fields of expertise of HCR-CTRO d.o.o. is training. Training courses are conducted in accordance with IMAS and Testing and Evaluation Protocols. In 2017, the following training courses were conducted for international partners:

- During October, 2017 - HCR-CTRO d.o.o. conducted training for 18 employees of the Russian company EMERCOM DEMINING on the subject of mine clearance management. EMERCOM DEMINING employees gained qualifications for project managers, site managers, group leaders and internal control inspectors.

Conferences and workshops:

- Croatian Mine Action Centre, HCR-CTRO d.o.o. and Government Office for Mine Action were the co-organizers of the 14th International Symposium "MINE ACTION 2017" which was held in the Town of Biograd in April 2017. The Symposium has become a global umbrella gathering of mine action experts and practitioners. Some 150 participants from more than 30 countries attended the Symposium, during which different plenary sessions, a field demonstration of demining and detection equipment, a demonstration of technical survey activities, as well as workshops and working meetings of IARP (International Advanced Robotic Programme) and SEEMACC (South East Europe Mine Action Coordination Council) were held.
- During March and April, 2017 - Regional Senior Managers' Course in ERW and Mine Action was held in Croatia, organised jointly by the Center for International Stabilization and Recovery at James Madison University

- PROTOCOL V -

(JMU) USA, the Government Office for Mine Action of the Republic of Croatia and Croatian Mine Action Centre - Centre for Testing, Development and Training, funded by the Office of Weapons Removal and Abatement in the U.S. Department of State's Bureau of Political- Military Affairs. The Course gathered more than 20 participants, attending from CWD programs in Albania, Armenia, Azerbaijan, Bosnia and Herzegovina, Croatia, Georgia, Kosovo, Serbia, Slovenia, Turkey and Ukraine. Three participants from Colombia also joined the course to take advantage of the excellent working relationship already established between the Croatian and Colombian mine action authorities and to learn from the programs in Europe and Eurasia. This course strengthened regional partnerships and collaboration and focused on issues critical to the region, including program sustainability, small arms and light weapons, physical security and stockpile management, and managing programs through transitional phases.

Cooperation on international level required close cooperation between CROMAC and Croatian Ministry of Foreign and European Affairs, Croatian diplomatic missions throughout the world and Croatian Ministry of Defense. Apart from fulfilment of the commitments undertaken by Croatia signing the Ottawa Treaty, international cooperation activities have mostly consisted of raising demining funds, capacity building, mine victims assistance and mine risk education. International cooperation also included taking part in different conferences at regional and international level that enabled us to promote and present achievements of Croatian mine action system.

- In November, 2017 - CROMAC and HCR-CTRO d.o.o. hosted a delegation of the Saudi Arabia which included representatives from the Engineering Command, Infantry Command, Armed Forces Command, Office of the Chief of Staff and the Navy Command of the Ministry of Defence of the Kingdom of Saudi Arabia. Guests were presented with the activities of all Mine Action authorities in the Republic of Croatia, with a special emphasis on a system of the airborne non-technical survey from a drone, training courses and quality management.
- In December, 2017 - CROMAC and HCR-CTRO d.o.o. delegation visited Ukraine. The visit was organized under the auspices of the Working Group on cooperation between Croatia and Ukraine on the exchange of experiences in demining and their adaptation/implementation in Ukraine.

Any other relevant information:

CROMAC can offer the following forms of assistance to the international mine action community:

- Establishment of the National mine action centre,
- Legal, sub legal and normative regulations,
- Establishment of mine information system and geo-information system,
- Planning system – production of National strategies, annual and operative activity plans,
- Education of executors of humanitarian demining operations (deminers, auxiliary workers and management) and mine risk education,
- General survey, definition of suspected hazardous area and education of survey teams,
- Protective equipment and demining machines produced in the Republic of Croatia,
- Capacities and know-how of the Croatian demining companies,
- Capacities for testing demining machines, equipment and devices as well as new technologies of mine and UXO detection.

- PROTOCOL V -

FORM F(a): Steps taken by States which have ERW victims to implement the relevant provisions of Article 8(2): Victim Assistance

High Contracting Party: THE REPUBLIC OF CROATIA

Reporting for time period from: 01/01/2017 to 31/12/2017
[dd/mm/yyyy] [dd/mm/yyyy]

Steps taken to implement the relevant provisions of Article 8(2):

During 2017, the advisory assistance to persons affected by mines, and their families continued to be provided by the NGO Mine Aid. The largest number of activities related to the education about dangers of mines and UXO were done in cooperation with the Ministry of Interior and the relevant police departments thorough the "Less arms, less tragedy" campaign. The cooperation was also achieved with: Croatian Hunting Federation, Croatian Red Cross, "Lions club" Beli Manastir, Disability Volleyball Club Zagreb, county, city and municipal governments and other non-governmental organizations and associations especially Association "Croatia helps".
All actions and activities in Mine Action in Croatia and worldwide were presented on web pages of CROMAC and the Government Office for Mine Action.
Central ceremony for the April 4, International day of Mine Awareness and Assistance in Mine Action was held in the Town of Glina in co-organisation of Government Office for Mine Action and CROMAC.

Other relevant information, guided by the Plan of Action on Victim Assistance:

N/A

- PROTOCOL V -

FORM G: Steps taken to implement Article 9 of the Protocol: Generic preventive measures

High Contracting Party: THE REPUBLIC OF CROATIA

Reporting for time period from: 01/01/2017 to 31/12/2017
[dd/mm/yyyy] [dd/mm/yyyy]

Steps taken to implement the provisions of Article 9 and the Technical Annex:

a.) Munitions manufacturing management

Production of all types of arms and military equipment in the Republic of Croatia is regulated by the Law on the Production, Overhaul and Trade in Arms and Military Equipment, adopted on 25 March 2002 (Official Gazette 33/2002). The law regulates safety and protection of methods of producing and refitting arms and military equipment.

b.) Munitions management

In order to ensure the best possible long-term reliability of explosive ordnance, Republic Croatia applies best practices and operating procedures with respect to its storage, transport, field storage and handling in accordance with the following:

Explosive ordnance is stored in 26 secured facilities that are well-guarded and protected against fires and thunders.

Explosive ordnance is stored and sorted in accordance with its condition. Out of date and faulty explosive ordnance is sorted out and stored separately. For explosive ordnance warehousing, tracking and testing procedures have been put in place in order to maintain its reliability.

All facilities are made of concrete and with insulation in order to maintain temperatures under 50C and humidity under not more than 75 %. Personnel working and handling explosive ordnance must be well pyrotechnically educated and certified in order to perform their duties.

Storage and handling, transport, supply and maintenance, laboratory testing and observing Life Cycle Management of explosive ordnance in Armed Forces is regulated by Ministry of Defence and General Staff of Armed Forces of Republic of Croatia with;

- Directive on storage protection and handling of explosive ordnance, MoD Zagreb dated 1998
- Decree on transport of explosive ordnance, MoD dated 2006
- Directive on chemical balance of gunpowder dated 2000
- Directive on explosive ordnance quality control in MoD and AF dated 2005
- Directive on maintaining of explosive ordnance in AF dated 2004
- Directive on record keeping of out of date and faulty explosive ordnance dated 2005
- Directive on managing with the existing quantities of explosive ordnance in AF dated 1997
- Directive on extension of rocket ammo lifetime in AF dated 2007.

Currently in the Croatian Armed Forces, process of implementation of NATO norms and standards in the area of explosive ordnance safekeeping is going on. Explosive ordnance experts from the Croatian Armed Forces are currently involved in work of NATO Committee AC/326 "CNAD Ammunition Safety group" responsible for development and improvement of norms and standards in the area of safe storage, transport and use of explosive ordnance.

Decision of the Defence Minister for the planning period to year 2018 defined:

- Types and quantities of usable explosive ordnance, their storage and maintenance;
- Types and quantities of usable and perspective classical rocket ammo that could be used for live-firing, quality control, life cycle oversight and its extension;
- Types and quantities of explosive ordnance that are not longer usable and needs to be removed by delaboration and destruction

c.) Training

Training:

One of the main fields of expertise of CROMAC-CTDT is training. Training courses are conducted in accordance with IMAS and Testing and Evaluation Protocols. In 2017, the following training courses were conducted for international partners:

- training for 18 employees of the Russian company EMERCOM DEMINING on the subject of mine clearance management. EMERCOM DEMINING employees gained qualifications for project managers, site managers, group

- PROTOCOL V -

leaders and internal control inspectors

Any other relevant information:

N/A

- PROTOCOL V -

FORM H: Steps taken to implement Article 11 of the Protocol: Compliance

High Contracting Party: THE REPUBLIC OF CROATIA

Reporting for time period from: 01/01/2017 to 31/12/2017
[dd/mm/yyyy] [dd/mm/yyyy]

Steps taken to implement the provisions of Article 11:

For the purpose of precise definition of the actual suspected hazardous area, the CROMAC developed its own model of organization and operative handling of humanitarian demining process with guidelines and contents of the International Mine Action Standards (IMAS) built in.

CROMAC's SOPs were passed in order to realize the tasks set in a rational manner and speed up the process of defining suspected hazardous area all the way to the handover of areas cleared from mines and UXO to the final beneficiaries. CROMAC SOPs define the survey of suspected hazardous area and/or facility (general survey, SHA marking, technical survey and area reduction), project designing, competence assessment of authorised legal entities for the conduct of humanitarian demining operations, quality assurance and quality control (quality assurance and quality control over mine search and/or demining, sampling-sampling for inspection and control of soil treatment depth while using demining machines, sampling-sampling for inspection and control of demined and searched area) and medical support.

Procedures for conducting surveys, implementation of procedures, responsibilities as well as control and verification of survey operations carried out, all in order to define suspected hazardous area (SHA) were described in detail.

Any other relevant information:

The Croatian SOPs in mine action are as follows (all available on CROMAC web site www.hcr.hr):

SURVEY OF MINE SUSPECTED AREA AND/OR BUILDINGS

- 01.01 - General Survey
- 01.01.01 - Appendix to the SOP 01.01 "General Survey"
- 01.02 - Marking of Mine Suspected Area
- 01.02.01 - Marking of Areas of Potential Unexploded Ordnance
- 01.03 - Technical Survey
- 01.04 - Reduction of Areas in the MSA

DESIGNING - ELABORATION OF DESIGNING DOCUMENTATION

- 02. Designing - Elaboration Of Designing Documentation

STANDARDIZATION AND ACCREDITATION

- 03.02 - Accreditation

QUALITY ASSURANCE AND QUALITY CONTROL

- 04.01 - Quality Assurance and Quality Control of Mine Search and/or Demining
- 04.02 – Sampling - Sampling for Inspection and Control of the Soil Treatment depth during Demining Machine Usage
- 04.03 – Sampling - Sampling for Inspection and Control of Demined and Searched Area

MEDICAL SUPPORT

- 05.01 – Medical Support And Evacuation

DESTRUCTION OF MINES AND UNEXPLODED ORDINANCES

- 06.01 – Destruction of Mines and Unexploded Ordnances -

- PROTOCOL V -

FORM I: Other relevant matters

High Contracting Party: THE REPUBLIC OF CROATIA

Reporting for time period from: 01/01/2017 to 31/12/2017
[dd/mm/yyyy] [dd/mm/yyyy]

Any other relevant information:

The Croatian Police department and the CROMAC are continuing the "Less arms, less tragedies" campaign in partnership with the Red Cross. The citizens are being educated and encouraged to turn in their weapons and ordnance leftover from the Homeland War. The Police department also reacts on basis of citizen's telephone calls and sometimes finds large quantities of weapons within their investigations of various criminal activities. Among large arsenals of W and other weapons, during 2017 the Police Department collected 122 pieces of AP and 22 pieces of AV landmines.

Police department is determined to continue these programs and activities in the future. The weapons collected by the Police department are transported and destroyed at Croatia's military facilities.

AMENDED PROTOCOL II

**PROTOCOL ON PROHIBITIONS OR RESTRICTIONS ON THE USE OF MINES,
BOOBY-TRAPS AND OTHER DEVICES, AS AMENDED ON 3 MAY 1996, ANNEXED
TO THE CONVENTION ON PROHIBITIONS OR RESTRICTIONS ON THE USE OF
CERTAIN CONVENTIONAL WEAPONS WHICH MAY BE DEEMED TO BE
EXCESSIVELY INJURIOUS OR TO HAVE INDISCRIMINATE EFFECTS
(Protocol II as amended on 3 May 1996)**

REPORTING FORMATS

for Article 13 paragraph 4 and Article 11 paragraph 2

NAME OF THE HIGH
CONTRACTING PARTY: THE REPUBLIC OF CROATIA

DATE OF SUBMISSION: 16/04/2018

NATIONAL POINT(S) OF CONTACT: Office for Mine Action, Mesnička 23, Zagreb, Croatia
Phone +385 1 6303 990; Fax. +385 1 6303 996
E-mail: info@mine.vlada.hr; Web : mine.gov.hr

Ministry of Defence
Defence Policy Directorate
Department of Multilateral Affairs and International Security
Arms Control Section
Phone: +385 1 3784 169, Fax: +385 1 3784 383
E-mail: nkovac@morh.hr

Croatian Mine Action Center, Ante Kovačića 10, Sisak, Croatia
Phone: +385 44 554 151; Fax: +385 44 554 142;
E-mail: hcr@hcr.hr; Web: www.hcr.hr

This information can be available to other interested parties and relevant organizations:

YES

NO

Partially, only the following forms:

A

B

C

D

E

F

G

AMENDED PROTOCOL II

Summary sheet

(Pursuant to the decision of the Fifth Annual Conference of the State Parties to the CCW Amended Protocol II as stipulated in paragraph 20 of the Final Report, CCW/AP.II CONF.5/2)

Reporting for time period

from: 01/01/2017
dd/mm/yyyy

to: 31/12/2017
dd/mm/yyyy

Form A: Dissemination of information:

changed
 unchanged
(last reporting year: (2011))

Form B: Mine clearance and rehabilitation programmes:

changed
 unchanged
(last reporting year: (2016))

Form C: Technical requirements and relevant information:

changed
 unchanged
(last reporting year: (2009))

Form D: Legislation:

changed
 unchanged
(last reporting year:(2006))

Form E: International technical information exchange, co-operation on mine clearance, technical co-operation and assistance:

changed
 unchanged
(last reporting year: (2016))

Form F: Other relevant matters:

changed
 unchanged
(last reporting year: (2009))

Form G: Information to the UN-database on mine clearance:

changed
 unchanged
(last reporting year: (2016))

AMENDED PROTOCOL II

Form A Dissemination of information

Article 13,
paragraph 4 (a)

“The High Contracting Parties shall provide annual reports to the
Depositary [...] on [...]:

(a) dissemination of information on this Protocol to their armed forces and
to the civilian population;”

Remark:

High Contracting Party:

THE REPUBLIC OF CROATIA

Reporting for time period

from: **01/01/2017**

dd/mm/yyyy

to: **31/12/2017**

dd/mm/yyyy

INFORMATION TO THE ARMED FORCES:

Since Croatia is the State Party to the Convention on Cluster Munitions, that Convention is added to the curriculum of the Croatian Defence Academy. The introduction of the Convention on Cluster Munitions to the Croatian Armed Forces was used to reshape and expand the curriculum time dedicated at all levels of education on the agreements, treaties and conventions signed and ratified by Croatia. Starting at basic, advance and senior NCO courses it expands and gets more in-depth coverage all the way up to the War College level. This expanded curriculum is being implemented from the beginning of September 2011 and is regularly updated.

INFORMATION TO THE CIVILIAN POPULATION:

Dissemination of information about the CCW and its protocols to civilian population is performed through mine risk education (MRE) activities. Croatian Ministries, Offices of the Government and State Administrative Offices as well as NGOs, pass specific training according to their role in the national implementation of the Convention and its Protocols.

Croatian Red Cross with its local branches (in local communities), Croatian Mine Action Centre (CROMAC), the Ministry of Interior and the Association of Civil Victims of Homeland War are active in events and lectures where MRE messages are given. These lectures always bear in mind that mine risk education is effective in terms of reducing the number of mine casualties. Appropriate presentations (lectures) on mine/UXO risk education were organised for children, adults, and for specific target groups (hunters, farmers, firemen, mountaineers, fishermen, public companies employees etc.).

Promotion to the public and the media is an especially important way to directly spread safety messages about the dangers of ERW, which seeks to inform as many citizens at the local and national level. Creating and distributing posters, flyers, brochures, etc. and publishing news stories in print and electronic media (radio and TV spots) reaches a significantly larger number of citizens, and further points to the still present danger of landmines in Croatia.

AMENDED PROTOCOL II

The Croatian Police Department is continuing its "Fewer arms, less tragedies" program in partnership with the CROMAC and the Croatian Red Cross. Citizens are being educated and encouraged to turn in their weapons and explosive ordnance left from the Homeland War. The Croatian Police Department also reacts on basis of citizen's telephone calls and sometimes discovers large quantities of weapons within their investigations of various criminal activities. Realizing the scope of the problem in Croatia, the Police Department is continuing this program in the future.

AMENDED PROTOCOL II

Form B Mine clearance and rehabilitation programmes

Article 13,
paragraph 4 (b) “The High Contracting Parties shall provide annual reports to the
Depositary [...] on [...]:

(b) mine clearance and rehabilitation programmes;”

Remark:

High Contracting Party: **THE REPUBLIC OF CROATIA**

Reporting for time period

from: **01/01/2017**

dd/mm/yyyy

to:

31/12/2017

dd/mm/yyyy

MINE CLEARANCE PROGRAMMES:

The Republic of Croatia confirmed its determination to solve the mine problem by passing the Law on Humanitarian Demining in 1996, establishing the Croatian Mine Action Centre in 1998, fulfilling the commitments undertaken by joining the Ottawa Convention as well as providing for permanent and stable sources of financing from the State Budget, the World Bank loans, EU funds and Croatian public companies.

In 2012, the Office for Mine Action was established by the Government of the Republic of Croatia ("Official Gazette", 21/12) as a governmental body for technical, analytical, advisory, co-ordinating and other activities related to mine action in Croatia. As such, it also closely monitors the activities and work of the CROMAC. One of the main goals of the Office is to raise the awareness of population about the danger of mines, as well as to create conditions for effective development of mine action in Croatia.

The CROMAC created the Mine Action 2017 Plan with the consent of the Ministry of Interior, Ministry of Finances, Ministry of Defence, Ministry of Maritime Affairs, Transport and Infrastructure, Ministry of Regional Development and EU Funds, Ministry of Culture, Ministry of Environment and Nature Protection, Ministry of Tourism, Ministry of Economy, Ministry of Construction and environmental planning, Ministry of agriculture, Ministry of Business and trade, the National Protection and Rescue Directorate and all mine contaminated counties in the Republic of Croatia.

Through 73 preliminary demining projects, mine threat has been removed from an area that amounts to 29.9 km² while additional 6.6 km² was reduced through technical and non-technical survey activities. All these activities resulted in the total decrease of the suspected hazardous area in Croatia in the amount of 36.5 km² (+481.900 m² demined territory by MoD). Suspected hazardous area in the Republic of Croatia on December 31, 2017 totalled 411.5 km².

In 2017, the largest share in the demined area had areas planned for different economic activities like forest areas and especially agricultural land which the local and regional authorities stated as their priority crucial for the start of agricultural production and other activities. During the mine clearance activities a total number of 1.808 mines and UXOs was found and destroyed, out of which 1.289 mines and 519 UXOs, performed by 40 accredited commercial companies that

AMENDED PROTOCOL II

conducted demining operations.

The Annual Mine Action Plan was realized using the following funding sources - State Budget funds, EU funds and donations. It is important to mention that, like in the previous reporting year, in 2017, funds acquired for the demining operations from the EU contribution surpassed the ones from the State budget and other sources. In 2017, EU funds had the biggest financing share with 58,48 % of total funds spent and contracted (State budget 40,75 %, donations 0,76%). Parallel with the implementation of the non-technical survey and search and demining operations, the control of marking and, if necessary, additional marking of suspected hazardous areas was conducted in order to create a clear boundary between safe and mine suspected areas. The locations of mine danger signs are one of the basic elements of the Mine Information System (MIS) that is shown on the maps given to the local authorities, police administration and individuals that have requested maps on SHA situation. On December 31, 2017 total mine suspected area was marked with 13.563 mine danger signs, which means 15% increased marking per square kilometre in comparison to previous reporting year, emphasized by the fact of reduced total SHA.

Certain amount of Croatian military facilities including barracks, training areas, radar stations and storage sites are still partially contaminated by land mines, cluster munitions remnants and other UXO. The Demining battalion of the Engineering regiment is responsible for clearance of all military facilities. During 2017, an area of 481.900 m² was searched and cleared. 297 pieces of UXO were discovered and destroyed; while AP and AV landmines were not found during the process.

The Ministry of Interior is continuing its "Fewer arms, less tragedies" Programme in partnership with the CROMAC and the Croatian Red Cross. The citizens are being educated and encouraged to turn in their weapons and ordnance left from the Homeland War. Among large arsenals of SALW and other weapons, during 2017 MoI collected 122 pieces of AP and 22 pieces of AV landmines.

REHABILITATION PROGRAMMES:

In line with the Law on Mine Action, Mine risk education and Mine victims' assistance was conducted during this period with co-coordinative role of the Government Office for Mine Action and CROMAC and co-operation with non-governmental organizations, different institutions and international organizations and associations.

Mine/UXO risk education

Different mine risk education activities, marking of mine suspected area, possibility of getting an insight into mine situation through submission of MSA maps and CDs as well as using CROMAC web portal have a positive effect on the prevention of mine incidents, but also require additional activities of informing the public and media with different mine action aspects.

In 2017, there were no mine incidents / accidents or related casualties in the Republic of Croatia.

In 2017, the Croatian Mine Action Centre coordinated a large number of activities related to informing about mine danger. Through 77 lectures and presentations, more than 27.890 citizens were educated in 2017. Majority of them were kindergarten and elementary school children. Special education was given to the members of hunting associations, Croatian mountain rescue service, hikers, farmers and tourists. Education was provided in Capital of Zagreb and 14 other counties.

The largest number of activities related to the education about dangers of mines and UXO were done in cooperation with the Ministry of Interior and the relevant police departments through the "Less arms, less tragedy" campaign where more than 26.800 people were educated as a part of 66 organized lectures. The cooperation was also achieved with: Croatian Hunting Federation,

AMENDED PROTOCOL II

Croatian Red Cross, "Lions club" Beli Manastir, Disability Volleyball Club Zagreb, county, city and municipal governments and other non-governmental organizations and associations.

All actions and activities in Mine Action in Croatia and worldwide were presented on web pages of CROMAC and the Government Office for Mine Action.

Central ceremony for the April 4, International day of Mine Awareness and Assistance in Mine Action was held in the town of Glina in co-organisation of Government Office for Mine Action and CROMAC.

Providing assistance to mine victims

The Republic of Croatia has developed public health care structure that includes clinics, clinical centres, specialized polyclinics, hospitals and rehabilitation centres. All persons being involved in the incidents are entitled to health protection and acquisition of orthopaedic aids to the amount covered by the Croatian Health Insurance Institute. These rights are regulated by a number of laws, rules and regulations. Relevant state administration authorities were involved in solving the problems of mine victims relating to medical rehabilitation. In accordance with the Act on Mine Action, mine victims assistance was conducted with Government Office for Mine Action's coordinative role and in co-operation with relevant ministries, institutions and NGOs. The main goal of these activities is to improve the quality of life of people injured by mines and UXOs as well as their families. Competent government authorities dealt with problems of mine victims in the part of medical rehabilitation. Other forms of aid were mainly implemented by non-governmental sector, and funding was secured through donations from international and domestic entities.

Most importantly, the Government Office for Mine Action and the CROMAC continued to provide advisory support to mine victims and their families and to collect data on mine victims and their needs during the process of non-technical survey. Swiss-Croatian Cooperation programme through "Demining and Socio-economic Integration" project and correlated socio-economic component has a goal of establishing functional mine victims' data base which will serve as a basis for developing further and strengthened policy actions for mine victims.

The Republic of Croatia has highly developed legal framework relating to the persons with disabilities in realizing their legitimate rights and status. The status and various forms of rights are being realized through over 200 different laws and by-laws. There are 4 basic forms of mine victim assistance in which ministries, institutions, non-governmental sector, a number of organizations and individual initiatives take part in, such as medical care, physical rehabilitation, psychological help and social reintegration and professional and economic rehabilitation.

There are 29 specialized hospitals for physical rehabilitation in Croatia and one Institute for rehabilitation and orthopedic aids in Zagreb. Centers for psychosocial help and assistance in all 20 counties of the Republic of Croatia and City of Zagreb were opened, aiming at providing the assistance to all people with disabilities including mine victims with war traumas including mine victims and members of their families.

Additional payment for better quality prostheses in the amount of 7.000 to 50.000 HRK is the most frequent form of individual support. Several dozens of persons ask for such type of support each year.

Collective programs of rehabilitation and reintegration

NGO "Mine Aid" continued supporting mine victims through several projects. During 2017, the advisory assistance to persons affected by mines, and their families continued to be provided by Mine Aid.

AMENDED PROTOCOL II

Form E International technical information exchange, cooperation on mine clearance, technical cooperation and assistance

Article 13,
paragraph 4 (e)

“The High Contracting Parties shall provide annual reports to the Depository [...] on [...]:
(e) measures taken on international technical information exchange, on international cooperation on mine clearance, and on technical cooperation and assistance;”

Remark:

High Contracting Party: **THE REPUBLIC OF CROATIA**

Reporting for time period

from: **01/01/2017**
dd/mm/yyyy

to: **31/12/2017**
dd/mm/yyyy

INTERNATIONAL TECHNICAL INFORMATION EXCHANGE:

Based on the Agreement on the transfer of tasks, Article 2, signed between the Croatian Mine Action Centre and CROMAC - Center for Testing, Development and Training (HCR-CTRO) on 30 October 2003, HCR-CTRO took over the activities and projects focused on testing of mine detection and mine clearance equipment, as well as research of new methods and technology.

Technical cooperation:

- In November, 2017 – beginning of the project entitled “Biological Methods (Bees) for Explosive Detection” financed by the NATO Science for Peace and Security Programme. The participants of the project are: HCR-CTRO d.o.o. - project coordinator, Faculty of Transport and Traffic Sciences from the University of Zagreb, University from Banja Luka and University from St. Andrews. Duration of the project is three years, and its goal is to develop innovative methods and technologies for landmine detection through the advancement and integration of current state of the art techniques – honeybees in combination with explosive vapour sensors and advanced imaging techniques.

Testing and certification:

At the HCR-CTRO test sites in Cerovac / Benkovac:

- In May and October, 2017 - At the HCR-CTRO test site Benkovac, a research team from the University of Manchester conducted a trial of experimental detection equipment. The aim of the project is to help counter the problems of discrimination of targets in uncooperative (highly mineralised) soils and to research more advanced electromagnetic detectors to the benefit of the international mine action community. The trial is financed by the British charity “Find a Better Way”.

AMENDED PROTOCOL II

- During September, 2017 - HCR-CTRO d.o.o. provided testing of a Zone Depollution System (SDZ) machine owned by a French company CEFA. The test took four weeks and was conducted in accordance with the IMAS Test and Evaluation Protocol for machines (CWA 15044).

Training:

One of the main fields of expertise of HCR-CTRO is training. Training courses are conducted in accordance with IMAS and Testing and Evaluation Protocols. In 2017, the following training courses were conducted for international partners:

- During October, 2017 - HCR-CTRO d.o.o. conducted training for 18 employees of the Russian company EMERCOM DEMINING on the subject of mine clearance management. EMERCOM DEMINING employees gained qualifications for project managers, site managers, group leaders and internal control inspectors.

Conferences and workshops:

- Croatian Mine Action Centre, HCR-CTRO and Government Office for Mine Action organized the 14th International Symposium "MINE ACTION 2017" which was held in the Town of Biograd in April 2017. The Symposium has become a global umbrella gathering of mine action experts and practitioners. Some 150 participants from more than 30 countries attended the Symposium, during which different plenary sessions, a field demonstration of demining and detection equipment, a demonstration of technical survey activities, as well as workshops and working meetings of IARP (International Advanced Robotic Programme) and SEEMACC (South East Europe Mine Action Coordination Council) were held.
- During March and April, 2017 - Regional Senior Managers' Course in ERW and Mine Action was held in Croatia, organised jointly by the Center for International Stabilization and Recovery at James Madison University (JMU) USA, the Government Office for Mine Action of the Republic of Croatia and Croatian Mine Action Centre - Centre for Testing, Development and Training, funded by the Office of Weapons Removal and Abatement in the U.S. Department of State's Bureau of Political- Military Affairs. The Course gathered 20 participants, attending from CWD programs in Albania, Armenia, Azerbaijan, Bosnia and Herzegovina, Croatia, Georgia, Kosovo, Serbia, Slovenia, Turkey and Ukraine. Three participants from Colombia also joined the course to take advantage of the excellent working relationship already established between the Croatian and Colombian mine action authorities and to learn from the programs in Europe and Eurasia. This course strengthened regional partnerships and collaboration and focused on issues critical to the region, including program sustainability, small arms and light weapons, physical security and stockpile management, and managing programs through transitional phases.

AMENDED PROTOCOL II

INTERNATIONAL COOPERATION ON MINE CLEARANCE:

The international cooperation on mine clearance of the Republic of Croatia during the above mentioned period was performed thanks to the donors' contributions from different countries, organizations and individuals. European Union, US and other countries financed humanitarian demining activities in Croatia in 2017.

TECHNICAL COOPERATION AND ASSISTANCE:

Cooperation on international level required close cooperation between the Government Office for Mine Action, the CROMAC, the Ministry of Foreign and European Affairs, Croatian diplomatic missions throughout the world and the Ministry of Defense. Apart from fulfilment of the commitments undertaken by Croatia signing the Ottawa Treaty, international cooperation activities have mostly consisted of raising demining funds, capacity building, mine victims assistance and mine risk education. International cooperation also included taking part in different conferences at regional and international level that enabled us to promote and present achievements of Croatian mine action system.

- In November, 2017 - CROMAC and HCR-CTRO d.o.o. hosted a delegation of the Saudi Arabia which included representatives from the Engineering Command, Infantry Command, Armed Forces Command, Office of the Chief of Staff and the Navy Command of the Ministry of Defence of the Kingdom of Saudi Arabia. Guests were presented with the activities of all Mine Action authorities in the Republic of Croatia, with a special emphasis on a system of the airborne non-technical survey from a drone, training courses and quality management.
- In December, 2017 - CROMAC and HCR-CTRO d.o.o. delegation visited Ukraine. The visit was organized under the auspices of the Working Group on cooperation between Croatia and Ukraine on the exchange of experiences in demining and their adaptation/implementation in Ukraine.

AMENDED PROTOCOL II

Form G Information to the UN-database on mine clearance

Article 11,
paragraph 2,

“2. Each High Contracting Party undertakes to provide information to the database on mine clearance established within the United Nations System, especially information concerning various means and technologies of mine clearance, and lists of experts, expert agencies or national points of contact on mine clearance.”

Remark:

High Contracting Party: **THE REPUBLIC OF CROATIA**

Reporting for time period

from: **01/01/2017**

to: **31/12/2017**

dd/mm/yyyy

dd/mm/yyyy

MEANS AND TECHNOLOGIES OF MINE CLEARANCE:

Mine clearance capacities included a complete equipment of 40 commercial demining companies that are authorized by the Ministry of Interior to perform mine clearance activities.

All the employees that work in mine clearance (approx. 600) are wearing protective equipment that consists of flack jacket with protection for groins and helmets with visors. For special cases of UXO demolition, companies use ballistic suits. Following equipment is in usage for humanitarian demining activities: approximately 650 metal detectors, 50 demining machines including all types (medium, light and heavy), excavators, machines for vegetation clearing and 60 mine detection dogs.

In Croatia, mine clearance actions are mostly performed as a combination of mechanical demining, manual detection and mine-searching dogs. CROMAC's Standard Operating Procedures (SOPs) also prescribe the entire methodology of humanitarian demining activities. Frequent use of demining machines puts Croatia among the leading states with industrial mine clearance.

LISTS OF EXPERTS AND EXPERT AGENCIES:

Mine clearance experts are employed in various institutions, which deal with mine action issues

CROMAC :

- Mr. Zdravko Modrušan – Director
- Mr. Ante Brkljačić – Survey and Quality control
- Mr. Davor Laura – EU funds and planning
- Mr. Neven Karas – General affairs sector
- Heads of CROMAC Regional offices (Mr. Josip Čerina, Mr. Dubravko Krušarovski) – operational performance

HCR-CTRO d.o.o. conducts testing and certification of mine detection and mine clearance equipment; research and development of new mine detection and mine clearance methods and technology; and training in the field of mine action.

AMENDED PROTOCOL II

During 2017. there were 40 commercial companies that were authorized by the Ministry of the Interior and competed in public tenders for mine clearance projects:

1	ALFA RAZMINIRANJE d.o.o. ured@alfarazminiranje.hr
2	AVATAR RAZMINIRANJE avatar.razminiranje@gmail.com
3	BIOS-F d.o.o bios-f@sk.t-com.hr
4	CAPSULA INTERNA d.o.o. capsula.ured@gmail.com
5	COR d.o.o. cor.razminiranje@gmail.com
6	CREDO d.o.o. ivica .mikulic.pz@gmail.com
7	DETEKTOR d.o.o. detektor.cakovec@inet.hr
8	DETONATOR d.o.o. detonator.sb@gmail.com
9	DIZ EKO d.o.o. diz-eko@zg.t-com.hr
10	DOK – ING RAZMINIRANJE d.o.o. razminiranje@dok-ing.hr
11	DOK-ING d.o.o. ana.majetic@dok-ing.hr
12	EKSPLOATOR
13	FAS d.o.o. fas.razminiranje@gmail.com
14	FOSSIO d.o.o. fossio.razminiranje@gmail.com
15	HARPIJA d.o.o. harpija.hr@gmail.com
16	HEKSOGEN d.o.o. heksogen@du.t-com.hr
17	ISTRAŽIVAČ d.o.o. istrazivac@istrazivac.hr
18	ISTRAŽIVAČ BENZ d.o.o. razminiranje@benz.hr
19	LOCO d.o.o. loco.razminiranje@gmail.com

AMENDED PROTOCOL II

20	MAGNUS j.d.o.o. magnus.razminiranje@gmail.com
21	MAPER d.o.o. maper.razminiranje@gmail.com
22	MINA PLUS d.o.o. infominaplus@gmail.com
23	MINE-EX d.o.o.
24	MKA*DEMING d.o.o. mka-deming@ck.t-com.hr
25	MUNGOS RAZMINIRANJE d.o.o. demining@mungos-razminiranje.hr
26	OMNIA MEA d.o.o. omnia.meal2@gmail.com
27	ORKAN d.o.o.
28	PIPER d.o.o. piper@piper.hr
29	PIPER RAZMINIRANJE d.o.o. zeljko.romic@piper.hr
30	PITON d.o.o.
31	PROLUMIS d.o.o. prolumis@prilumis.hr
32	RUMITAL d.o.o. rumital@rumital.hr
33	TAURUS RAZMINIRANJE d.o.o. taurus.razminiranje@gmail.com
34	TETRAZEN d.o.o. tetrazen1@gmail.com
35	TITAN d.o.o. majsec.alen@gmail.com
36	TNT 7 d.o.o. tnt7razminiranje@gmail.com
37	TORNADO RAZMINIRANJE j.d.o.o. tornado.razminiranje@gmail.com
38	ZELENI KVADRAT d.o.o. zeleni.kvadrat@hotmail.com
39	ZIGO d.o.o. zigo.razminiranje@hotmail.com
40	ZONA RAZMINIRANJE d.o.o. zona.razminiranje@gmail.com

AMENDED PROTOCOL II

* list with detailed contacts and capacities available at CROMAC website

NATIONAL POINTS OF CONTACT ON MINE CLEARANCE:

Acting Director of the Government Office for Mine Action – Mr. Hrvoje Debač
(info@mine.vlada.hr; hrvoje.debac@mine.vlada.hr)

Director of the CROMAC - Mr Zdravko Modrušan (ravnatelj.HCR@hcr.hr)

Other points of contact:

Acting Head of the HCR-CTRO d.o.o.- Ms Nataša Mateša Mateković (natasa.matesa@ctro.hr)

CROMAC Web site: www.hcr.hr

Office for Mine Action Web site: www.mine.gov.hr

CROMAC Mine information System portal: <https://misportal.hcr.hr>

HCR-CTRO d.o.o. web site: www.ctro.hr